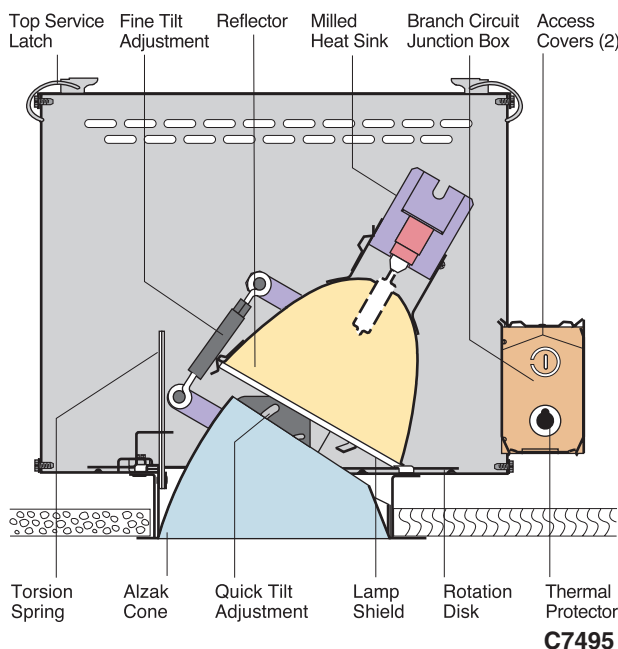
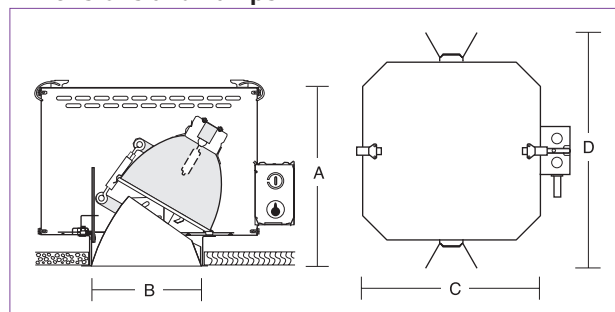


C7494



C7495

Dimensions and Lamps



Number	A Depth	B Aperture	C Width	D Length	Lamps
C7494	12 ³ / ₄ " 324mm	7 ¹ / ₄ " 184mm	17 ¹ / ₂ " 445mm	20 ¹ / ₂ " 521mm	250W T-4 Mini-can Frosted
C7495	15" 381mm	7 ¹ / ₄ " 184mm	17 ¹ / ₂ " 445mm	20 ¹ / ₂ " 521mm	400-500W T-4 Mini-can Frosted

C7494 250W
C7495 500W

Medium Beam
Sloped Ceiling Downlights 0° to 30°
T-4 Tungsten Halogen Lamps
7 1/4" Conoid Apertures

Optics and Applications

These fixtures are designed for sloped ceilings. Usually a sloped ceiling adaptor is fitted to a straight downlight with indifferent optical performance. New primary reflectors and shielding cones now produce much higher output with excellent brightness control. Spacing criteria range from .75 to .85, for medium beam applications. Use in churches, lobbies, auditoriums etc.

Design Features

Special tilted axis cones eliminate glare from normal viewing angles. A quick macro adjustment orients the lamp-reflector assembly to ceiling slopes from 0° to 30°. The cone rotates 360° with the lamp-reflector assembly to assure center-point aiming at all positions. Final adjustment is made with a threaded turnbuckle for tiny adjustments. Positive locks hold all positions. Maximum ceiling thickness 2". Top or bottom service.

Finish

Specular clear Alzak cones are standard. Optional colors and Softglow® finishes are available. The back of each cone is painted black to prevent reflected light from creating light streaks. Housing and structural parts are painted optical matte black. Steel parts are phosphate conditioned for corrosion resistance before painting.

General

Fixtures are pre-wired and thermally protected. They are UL and C-UL listed for eight wire 75°C branch circuit wiring. All products are union made IBEW. Luminaire Efficiency Ratings (LER) do not apply to directional fixtures.

Accessories

- B Black cone.
- G Gold cone.
- H Mocha cone.
- P Graphite cone.
- S Softglow® finishes: add S before color letters. e.g SW for Softglow® wheat cone, SC for Softglow® clear cone.
- R2 26" support rails.
- R5 52" support rails.
- WRL Wattage restriction label, specify wattage.
- For 30° to 45° sloped ceilings contact factory.
- T Titanium cone.
- W Wheat cone.
- Y Pewter cone.
- Z Bronze cone.
- WT White trim flange.

Matching Units

- Downlights [Pages C31, C32](#)
- Slopes wide beam [Page C33](#)
- Slopes narrow beam [Page C35](#)

