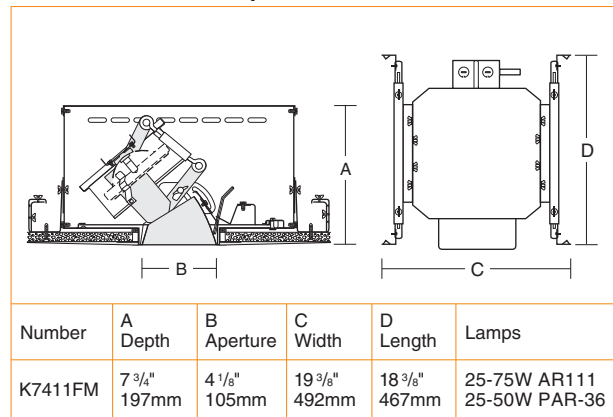


Dimensions and Lamps



Matching Units
Straight downlights
Wall washers

Section FM 1
Section FM 3

K7411FM

**Flush Mount Low Voltage Directional
AR111 or PAR-36 Lamps
4 1/8" Round Conoid Aperture**

Flush Mount

Kurt Versen's flush mount fixtures eliminate overlapping flanges and lock into the ceiling for a unique, finished appearance. A clean, uncluttered ceiling emphasizes the attention to detail, enhancing the impact of the interior environment. It is a factory installed option with a proven installation technique.

Optics and Applications

The parabolic cone provides shielding and brightness control in directional applications. Use also for vertical downlighting in sloped ceilings. Ideal for highlighting merchandise, art objects and other points of interest.

Design Features

The lamp assembly rotates 360° and tilts 40°. Positive locking maintains focusing during relamping. The cone is retained by a torsion spring and rotates with the lamp to maintain position. The lamp can be aimed and locked, then fine-tuned with a threaded turnbuckle. Flush mount design resists cracking and chipping by mechanically fastening fixture to drywall. To simplify installation, three adjustment mechanisms adapt the fixture to ceiling conditions. Adjustable mounting rails fit different support systems and accommodate ceiling thicknesses from 3/8" to 7/8". Maximum extension is 26". Top or bottom service.

Finish

A specular clear Alzak cone is standard. Optional colors and Softglow® finishes are available. Structural parts are painted optical matte black to suppress light leaks.

Transformer

Each fixture has a magnetic transformer with 120V primary as standard. A voltage switch provides secondary output of 12V or 5.5V as required. The transformer is rated 180°C Class H with a built-in 150° thermal reset. It is accessible through the aperture.

General

Fixtures are pre-wired and thermally protected, UL and C-UL listed for damp location and eight wire 75°C branch circuit wiring. Union made IBEW.

Accessories

- B Black cone.
- G Gold cone.
- H Mocha cone.
- P Graphite cone.
- T Titanium cone.
- W Wheat cone.
- Y Pewter cone.
- Z Bronze cone.
- WHT White complete trim.
- LL Linear spread lens.
- LP Large prism lens.
- MP Microprism lens.
- UV Ultraviolet filter.
- WR White cone return.
- STC Straight top cone, restricts aiming angle to 10°.
- WRL Wattage restriction label, specify wattage.
- S Softglow® finishes: add S before color letters. e.g. SW for Softglow®wheat cone, SC for Softglow®clear cone.
- FR Frosted lens. Example: LLFR for linear lens frosted.
- FMW Flush mount wood, contact the factory.
- V277 277 volt primary magnetic transformer.

FM K7411FM

2-3

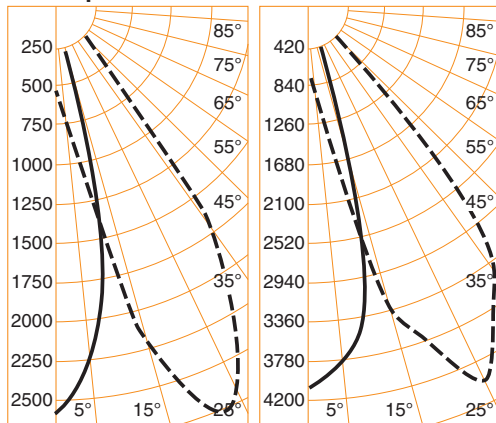
Footcandle Values

Distance	5'			10'			15'			20'												
	Nadir	10°	15°	Nadir	10°	15°	Nadir	10°	15°	Nadir	10°	15°										
Lamps	FC	FC	Diam	FC	FC	Diam	FC	FC	Diam	FC	FC	Diam	FC	FC	Diam							
K7411FM 50W AR-111 FL	104	73	2'	40	3'		26	18	4'	10	5'		12	8	5'	4	8'	6	5	7'	2	11'
K7411FM 75W AR-111 FL	164	134	2'	64	3'		41	34	4'	16	5'		18	15	5'	7	8'	10	8	7'	4	11'

Distance	15'			20'			25'			30'													
	Nadir	5°	10°	Nadir	5°	10°	Nadir	5°	10°	Nadir	5°	10°											
Lamps	FC	FC	Diam	FC	FC	Diam	FC	FC	Diam	FC	FC	Diam	FC	FC	Diam	FC	FC	Diam					
K7411FM 35W AR-111 SSP	183	4	3'	0	5'		103	2	3'	0	7'		66	2	4'	0	9'		46	1	5'	0	11'
K7411FM 50W AR-111 SSP	187	27	3'	8	5'		105	15	3'	5	7'		67	10	4'	3	9'		47	7	5'	2	11'
K7411FM 50W AR-111 SP	79	37	3'	11	5'		45	21	3'	6	7'		28	13	4'	4	9'		20	9	5'	3	11'
K7411FM 75W AR-111 SP	115	46	3'	17	5'		65	26	3'	10	7'		41	16	4'	6	9'		29	11	5'	4	11'

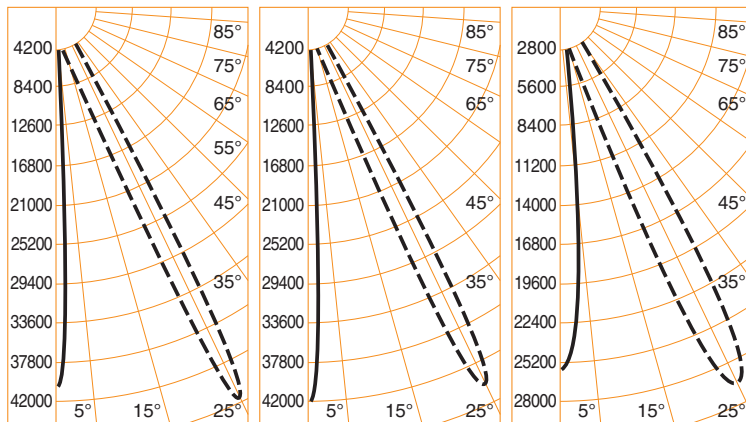
See note 4.

Candlepower Distribution



K7411FM 50W AR-111 FL
Eff. 72% S/M .46

K7411FM 75W AR-111 FL
Eff. 76% S/M .48



K7411FM 35W AR-111 SSP
Eff. 87% S/M .10

K7411FM 50W AR-111 SSP
Eff. 88% S/M .10

K7411FM 75W AR-111 SP
Eff. 89% S/M .14

Candelas

°	50W	75W
	850*	1250*
0	2590	4101
5	2252	3765
10	1914	3510
15	1101	1764
20	514	550
25	210	222
30	11	12
35	0	0
40	0	0
45	0	0
50	0	0
55	0	0
60	0	0
65	0	0
70	0	0
75	0	0
80	0	0
85	0	0
90	0	0

° Vertical Angles
* Initial Lamp Lumens

Notes

- 1 Data with clear specular cones.
- 2 Colored cone multipliers vary with lamp source, beam orientation, and degree of angulation. Contact the factory for specific data.
- 3 Candlepower distribution curves: solid lines show horizontal distribution at nadir, dotted lines show horizontal distribution at 25° lamp tilt.
- 4 Pattern diameters are determined from each side of nadir with 0° lamp tilt. The diameter includes both sides, so a 10° diameter represents a total 20° pattern width at the work plane. Footcandles are measured at the diameter edge. Tilting the lamp changes all data.
- 5 All data with lamp shields in place, if required.
- 6 Brightness data is omitted because readings were negligible.
- 7 Because of the small 4/8" aperture, wide flood lamps may lose part of their output within the fixture.
- 8 For PAR-36 photometric data, contact the factory.

°	35W	50W	75W
	350*	850*	1250*
0	41110	42011	25799
5	981	6107	10401
10	89	1947	4098
15	10	135	298
20	0	14	49
25	0	0	12
30	0	0	0
35	0	0	0
40	0	0	0
45	0	0	0
50	0	0	0
55	0	0	0
60	0	0	0
65	0	0	0
70	0	0	0
75	0	0	0
80	0	0	0
85	0	0	0
90	0	0	0

° Vertical Angles
* Initial Lamp Lumens