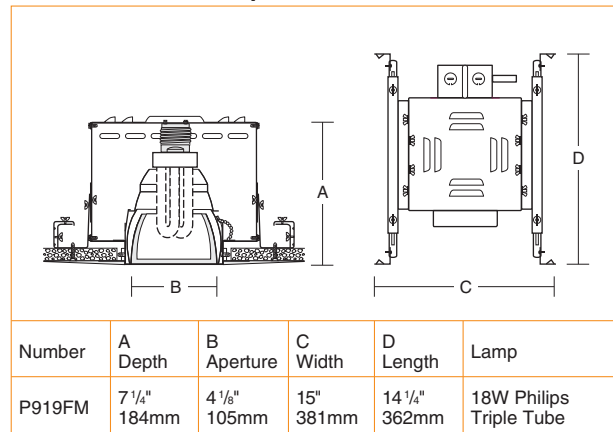


Dimensions and Lamps



P919FM

Flush Mount Wall Washer - Downlight
One 18W Triple Tube Lamp
4 1/8" Round Conoid Aperture

Flush Mount

Kurt Versen's flush mount fixtures eliminate overlapping flanges and lock into the ceiling for a unique, finished appearance. A clean, uncluttered ceiling emphasizes the attention to detail, enhancing the impact of the interior environment. It is a factory installed option with a proven installation technique.

Optics and Applications

A full circle kicker reflector directs a uniform wash light to the wall. The pattern is free from spikes, striations or dropouts and features wide lateral distribution. The downlight component has a soft edge to blend with nearby units. For low to medium height ceilings.

Design Features

The downlight cone completely encloses the wallwash reflector forming a single-piece optical system, which can rotate 360° after installation. Flush mount design resists cracking and chipping by mechanically fastening fixture to drywall. To simplify installation, three adjustment mechanisms adapt the fixture to ceiling conditions. Adjustable mounting rails fit different support systems and accommodate ceiling thicknesses from 3/8" to 7/8". Maximum extension is 26". Top or bottom service.

Finish

A specular clear Alzak cone is standard. Optional colors and Softglow® finish are available. Housing and structural parts are optical matte black to suppress light leaks.

Ballast

Programmed rapid start, microprocessor controlled for rated lamp life and end of lamp life protection. Input voltage range is from 120V through 277V. Power factor .98. Starting temperature 0°F (-18°C), THD <10%.

General

Fixture is pre-wired, UL and C-UL listed for damp location and eight wire 75°C branch circuit wiring. Union made IBEW.

Accessories

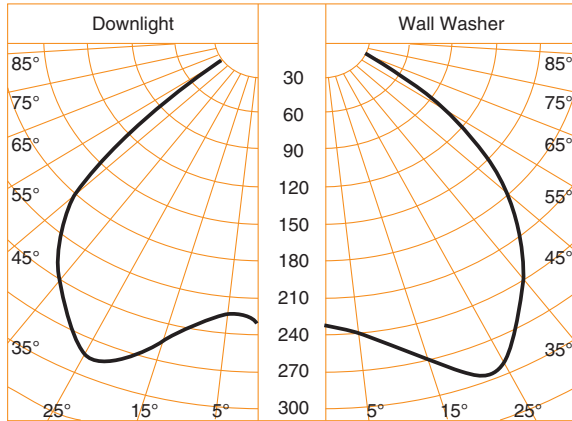
- G Gold cone.
- H Mocha cone.
- P Graphite cone.
- T Titanium cone.
- W Wheat cone.
- V347 347 volt ballast.
- S Softglow® finishes: add S before color letters. e.g. SW for Softglow® wheat cone, SC for Softglow® clear cone.
- DM Dimming, 5% minimum, specify voltage.
- FMW Flush mount wood, contact the factory.
- EM Emergency power includes integral charger light and test switch visible through aperture. Single lamp operation for 90 minutes. Specify volts.
- Y Pewter cone.
- Z Bronze cone.
- F Fuse.
- WR White cone return.
- WHT White complete trim.

Matching Units

Straight downlights [Section FM 1](#)
 Directionals [Section FM 2](#)

FM P919FM 3-4

Candlepower Distribution Curves



P919FM One 18W Philips Triple Tube

Multiple Units Footcandles

From Ceiling	2' from wall		3' from wall				4' from wall					
	2' Centers		3' Centers		3' Centers		4' Centers		4' Centers		6' Centers	
	CL	Mid	CL	Mid	CL	Mid	CL	Mid	CL	Mid	CL	Mid
1'	15	13	12	8	4	4	3	2	2	1	1	1
2'	25	26	18	17	9	9	8	6	4	3	3	2
3'	22	22	15	15	11	12	9	8	6	6	4	3
4'	17	17	11	11	11	11	8	8	6	7	5	4
5'	12	12	8	8	9	9	7	7	6	7	4	4
6'	9	9	6	6	8	8	6	6	6	6	4	4
7'	7	7	5	4	6	6	5	5	5	5	3	3
8'	5	5	4	4	5	5	4	4	4	4	3	3
10'	4	4	3	3	4	4	3	3	4	3	2	2
12'	3	3	2	2	3	3	2	2	3	3	2	2

P919FM One 18W Philips Triple Tube

Notes

- 1 Data by IES methods. Compact fluorescent data vary due to lamp lumen differences, power input, burning position, ambient temperature and ballast characteristics. A modification factor should be applied.
- 2 Above data measure output of the wall washers only. No contribution from adjacent downlights or ceiling, floor or wall reflectances is included. Total illumination on the wall will increase with the contribution from other sources.
- 3 Data are cosine corrected to the plane of the wall. Uncorrected data would be substantially higher and depend upon the angle of incidence to the wall which varies with the mounting distance from the wall.
- 4 Kurt Versen wall washers are designed to minimize hard shadow lines at the ceiling. Light intensity increases gradually to the maximum area, just above eye level. The field is uniform, devoid of hot spots, striations and spikes.
- 5 If colored cones are required, only the downlight cone will be tinted. The kicker reflector is always clear Alzak for maximum output and true color rendition. Multipliers should be used to correct brightness and downlight data only. Multiple Units Footcandles are correct as reported above.
- 6 Specular cone multipliers: Gold x .91, Wheat x .89, Mocha x .81, Pewter x .80, Graphite x .78, Titanium x .78, Bronze x .75.
- 7 Softglow® cone multipliers: Clear x .98, Gold x .93, Wheat x .89, Mocha x .81, Pewter x .80, Graphite x .78, Titanium x .78, Bronze x .71.

Brightness

Number	Lamp	85°	75°	65°	55°	45°
P919FM	One 18W Philips Triple Tube	381	322	456	9060	12322

Data in footlamberts. Photometer readings, Maximum Brightness Method.