

H8653FM

Flush Mount Wall Washer
One 26-32-42W Triple Tube Compact Fluorescent
6" Square Parabolic Trim

Flush Mount

Kurt Versen's flush mount fixtures eliminate overlapping flanges and lock into the ceiling for a unique, finished appearance. A clean, uncluttered ceiling emphasizes the attention to detail, enhancing the impact of the interior environment. It is a factory installed option with a proven installation technique.

Optics and Applications

The wallwash reflector directs light through a microprism spread lens creating a visually uniform plane of light on the wall from fixtures on indicated spacings.

Design Features

The trim and optical assembly can be rotated 360° in 90° increments to correct orientation to the wall. Flush mount design resists cracking and chipping by mechanically fastening fixture to drywall. To simplify installation, three adjustment mechanisms adapt the fixture to ceiling conditions. Adjustable mounting rails fit different support systems and accommodate ceiling thicknesses from 3/8" to 7/8". Maximum extension is 26". Top or bottom service.

Finish

Housing and structural parts are painted optical matte black. Standard trim is anodized Softglow® clear. Other colors and finishes are available.

Ballast

Programmed rapid start, microprocessor controlled for rated lamp life and end of lamp life protection. Input voltage range is from 120V through 277V. Operates 26W, 32W or 42W triple tube lamps. Power factor .98. Starting temperature 0° F (-18°C), THD <10%.

General

Fixture is pre-wired, UL and C-UL listed for damp location and eight wire 75°C branch circuit wiring. Union made IBEW.

Accessories

- SB Softglow black. F Fuse.
- SG Softglow gold. BR Bright trim finish.
- SH Softglow mocha. WR White cone return.
- SP Softglow graphite. WHT White complete trim.
- ST Softglow titanium. V347 347 volt ballast.
- SW Softglow wheat. WRL Wattage restriction label, specify wattage.
- SY Softglow pewter.
- SZ Softglow bronze.

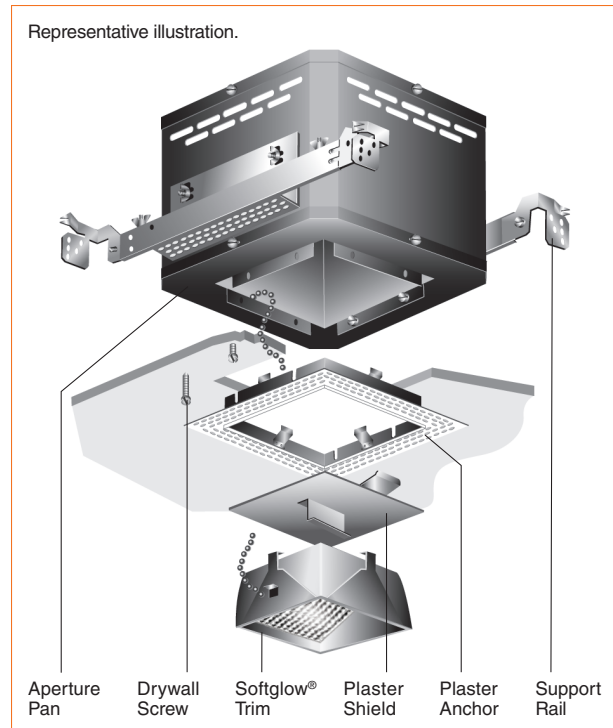
FMW Flush mount wood, contact the factory.

DM Dimming, 5% minimum, specify watts and volts.

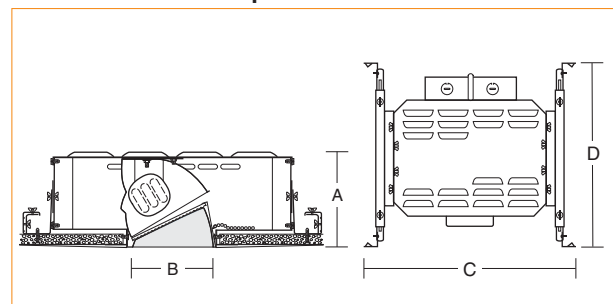
DM1 Dimming, 1% minimum, 26-32W, specify watts and volts.

EM Emergency power includes integral charger light and test switch visible through aperture. Battery operation for 90 minutes.

Representative illustration.



Dimensions and Lamps



Number	A Depth	B Aperture	C Width*	D Length	Lamp
H8653FM	5 3/8" 137mm	6" sq. 114mm	19 7/8" 505mm	14 1/4" 362mm	26-32-42W Triple tube compact fluorescent

*Width increases to 23" with EM accessory.

Matching Square Units

Straight downlights

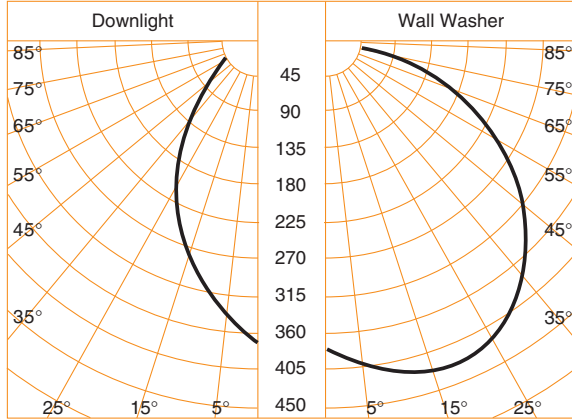
[Section FMH 4](#)

Directional downlights

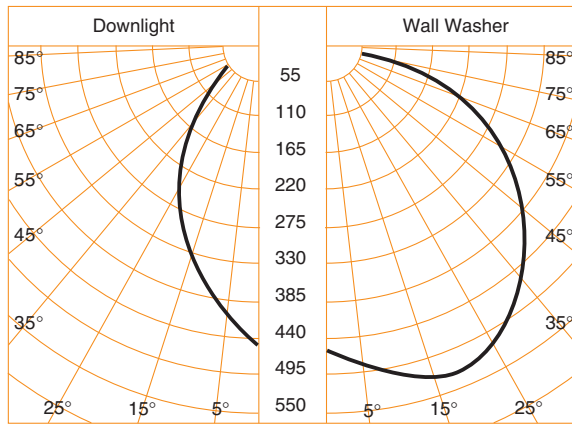
[Section FMH 5](#)

FMH H8653FM 6-7

Candlepower Distribution Curves



H8653FM 32W PL-T Philips



H8653FM 42W PL-T Philips

Brightness

Number	Lamps	85°	75°	65°	55°	45°
H8653FM	32W PL-T Philips	38	153	286	1471	2552
	42W PL-T Philips	77	230	464	1988	3270
	32W T/E Osram	54	134	284	1543	2453
	42W T/E Osram	50	180	356	1633	2690

Data in footlamberts. Photometer readings.
Maximum Brightness Method.

Multiple Units Footcandles

From Ceiling	2' from wall		3' from wall		4' from wall							
	2' Centers		3' Centers		4' Centers		6' Centers					
	C/L	Mid	C/L	Mid	C/L	Mid	C/L	Mid				
1'	40	33	35	19	13	10	12	5	5	4	5	2
2'	42	41	32	26	20	19	17	12	10	9	9	4
3'	31	31	22	20	19	19	15	13	12	11	9	6
4'	22	21	15	14	16	16	12	11	11	11	8	6
5'	15	15	10	10	13	12	10	9	9	9	7	6
6'	11	11	7	7	10	10	7	7	8	8	6	5
7'	8	8	6	5	8	8	6	6	7	7	5	4
8'	6	6	4	4	6	6	5	5	6	5	4	4
9'	5	5	3	3	5	5	4	4	5	4	3	3
10'	4	4	3	3	4	4	3	3	4	4	3	3

H8653FM 32W PL-T Philips

From Ceiling	2' from wall		3' from wall		4' from wall							
	2' Centers		3' Centers		4' Centers		6' Centers					
	C/L	Mid	C/L	Mid	C/L	Mid	C/L	Mid				
1'	52	46	44	27	16	14	15	8	7	5	6	2
2'	54	54	40	34	26	25	22	16	13	12	11	6
3'	39	40	27	26	25	24	19	17	15	14	12	8
4'	27	27	18	18	20	20	15	15	14	14	10	8
5'	19	19	13	13	16	16	12	12	12	12	8	8
6'	14	14	9	9	13	12	9	9	10	10	7	7
7'	10	10	7	7	10	10	7	7	8	8	6	6
8'	8	8	5	5	8	8	6	6	7	7	5	5
9'	6	6	4	4	6	6	5	5	6	6	4	4
10'	5	5	3	3	5	5	4	4	5	5	3	3

H8653FM 42W PL-T Philips

Notes

- 1 All data calculated with Softglow® clear trims and a microprism spread lens.
- 2 If colored trims are required, only the lens trim will be tinted. Primary and kicker reflectors are always clear Alzak for maximum output and true color rendition. Multipliers should be used to correct brightness and downlight data only. Multiple units footcandles are correct as reported above.
- 3 Colored trim multipliers: Gold x .90, Wheat x .85, Mocha x .80, Pewter x .80, Graphite x .75, Titanium x .75, Bronze x .70, Black x .70.
- 4 Above data measure output of the wall washers only. No contribution from adjacent downlights or ceiling, floor or wall reflectances is included. Total illumination on the wall will increase with the contribution from other sources.
- 5 Data are cosine corrected to the plane of the wall. Uncorrected data are much higher and depend upon the angle of incidence to the wall which varies with the mounting distance from the wall.
- 6 Kurt Versen wall washers minimize hard shadow lines at the ceiling. Intensity increases gradually to just above eye level. The illuminated field is uniform and devoid of hot spots, striations and spikes.