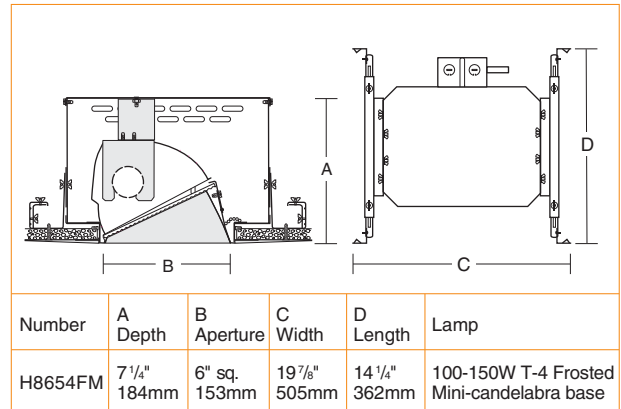


Dimensions and Lamps



H8654FM

Flush Mount Wall Washer
One 100-150W Tungsten Halogen T-4 Lamp
6" Square Parabolic Trim

Flush Mount

Kurt Versen's flush mount fixtures eliminate overlapping flanges and lock into the ceiling for a unique, finished appearance. A clean, uncluttered ceiling emphasizes the attention to detail, enhancing the impact of the interior environment. It is a factory installed option with a proven installation technique.

Optics and Applications

An asymmetric reflector and microprism spread lens with a frosted, T-4 tungsten halogen lamp create a visually uniform pattern from fixtures on indicated spacings.

Design Features

A vented housing encloses optical and electrical components. After the fixture is installed, its optics are adjustable in 90° increments through 360° to insure correct orientation to the wall. Flush mount design resists cracking and chipping by mechanically fastening fixture to drywall. To simplify installation, three adjustment mechanisms adapt the fixture to ceiling conditions. Adjustable mounting rails fit different support systems and accommodate ceiling thicknesses from 3/8" to 7/8". Maximum extension is 26". Top or bottom service.

Finish

Housing and structural parts are painted matte black to suppress stray light leaks. Standard trim is anodized Softglow® clear. Special finishes and colors available, see below under Accessories.

General

Fixtures are pre-wired and thermally protected, UL and C-UL listed for damp location and eight wire 75°C branch circuit wiring. Union made IBEW.

Accessories

- SB Softglow black.
- SG Softglow gold.
- SH Softglow mocha.
- SP Softglow graphite.
- ST Softglow titanium.
- SW Softglow wheat.
- SY Softglow pewter.
- SZ Softglow bronze.
- BR Bright trim finish.
- WR White trim return.
- WHT White complete trim.
- FMW Flush mount wood, contact the factory.
- WRL Wattage restriction label, specify wattage.

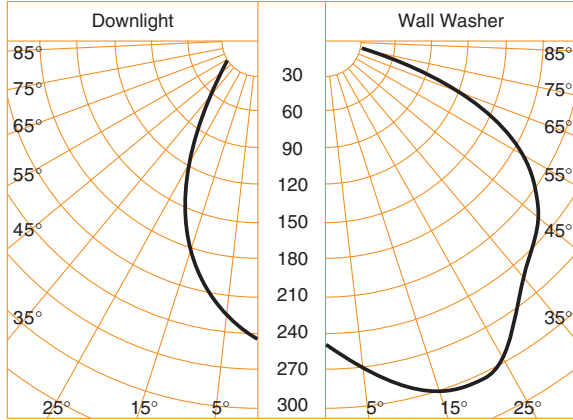
Matching Square Units

Straight downlights
 Directional downlights

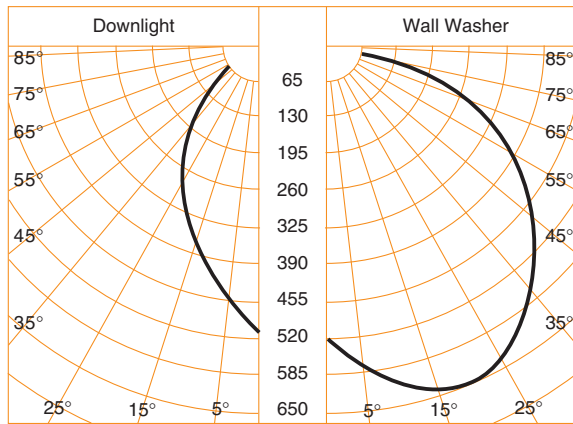
[Section FMH 4](#)
[Section FMH 5](#)

FMH H8654FM 6-11

Candlepower Distribution Curves



H8654FM 100W T-4 MC Frosted



H8654FM 150W T-4 MC Frosted

Brightness

Number	Lamps	85°	75°	65°	55°	45°
H8654FM	100W T-4	44	114	225	1101	1561
	150W T-4	76	222	427	2037	3652

Data in footlamberts. Photometer readings.
Maximum Brightness Method.

Multiple Units Footcandles

From Ceiling	2' from wall		3' from wall		4' from wall							
	2' Centers		3' Centers		4' Centers		6' Centers					
	C/L	Mid	C/L	Mid	C/L	Mid	C/L	Mid				
1'	30	26	26	15	9	8	8	4	4	3	3	1
2'	30	29	22	18	15	14	13	9	7	7	7	3
3'	21	21	15	14	14	13	11	9	8	8	7	4
4'	15	15	10	10	11	11	8	8	8	8	6	5
5'	11	11	7	7	9	9	7	6	6	6	5	4
6'	8	8	5	5	7	7	5	5	5	5	4	4
7'	6	6	4	4	5	5	4	4	5	4	3	3
8'	4	4	3	3	4	4	3	3	4	4	3	3
9'	3	3	2	2	3	3	3	3	3	3	2	2
10'	3	3	2	2	3	3	2	2	3	3	2	2

H8654FM 100W T-4 MC Frosted

From Ceiling	2' from wall		3' from wall		4' from wall							
	2' Centers		3' Centers		4' Centers		6' Centers					
	C/L	Mid	C/L	Mid	C/L	Mid	C/L	Mid				
1'	63	63	55	35	18	18	17	9	8	7	7	3
2'	65	68	48	42	32	33	27	21	16	16	13	7
3'	47	47	32	31	30	30	23	22	18	20	14	10
4'	32	33	22	22	24	24	18	18	17	18	12	10
5'	23	23	15	15	19	19	14	14	14	15	10	9
6'	17	17	11	11	15	15	11	11	12	12	8	8
7'	12	12	8	8	12	12	9	9	10	10	7	7
8'	9	9	6	6	9	9	7	7	8	8	6	6
9'	7	7	5	5	7	7	6	6	7	7	5	5
10'	6	6	4	4	6	6	4	4	6	6	4	4

H8654FM 150W T-4 MC Frosted

Notes

- 1 All data calculated with Softglow® clear trims and a microprism spread lens.
- 2 If colored trims are required, only the lens trim will be tinted. Primary and kicker reflectors are always clear Alzak for maximum output and true color rendition. Multipliers should be used to correct brightness and downlight data only. Multiple units footcandles are correct as reported above.
- 3 Colored trim multipliers: Gold x .90, Wheat x .85, Mocha x .80, Pewter x .80, Graphite x .75, Titanium x .75, Bronze x .70, Black x .70.
- 4 Above data measure output of the wall washers only. No contribution from adjacent downlights or ceiling, floor or wall reflectances is included. Total illumination on the wall will increase with the contribution from other sources.
- 5 Data are cosine corrected to the plane of the wall. Uncorrected data are much higher and depend upon the angle of incidence to the wall which varies with the mounting distance from the wall.
- 6 Kurt Versen wall washers minimize hard shadow lines at the ceiling. Intensity increases gradually to just above eye level. The illuminated field is uniform and devoid of hot spots, striations and spikes.