

T4520FM Parallel to Wall 
T4620FM Perpendicular to Wall 

Flush Mount Lens Wall Washers
Two PAR-16, PAR-20 or PAR-30 Flood Lamps
4 1/2" x 8 1/2" Rectangular Apertures

Flush Mount

Kurt Versen's flush mount fixtures eliminate overlapping flanges and lock into the ceiling for a unique, finished appearance. A clean, uncluttered ceiling emphasizes the attention to detail, enhancing the impact of the interior environment. It is a factory installed option with a proven installation technique.

Optics and Applications

A kicker reflector and microprism spread lens with two PAR floods create a wide, smooth pattern. Parallel or perpendicular models match the orientation of adjacent rectangles.

Design Features

A vented steel housing encloses electrical and optical components. Torsion springs hold the trim securely. After installation, internal optics can rotate 180° to correct orientation. Flush mount design resists cracking and chipping by mechanically fastening fixture to drywall. To simplify installation, three adjustment mechanisms adapt the fixture to ceiling conditions. Adjustable mounting rails fit different support systems and accommodate ceiling thicknesses from 3/8" to 7/8". Maximum extension is 26". Top or bottom service.

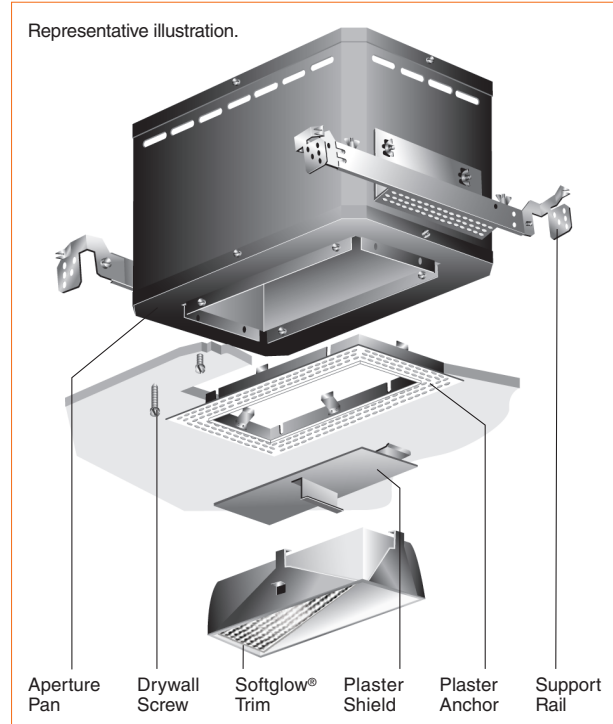
Finish

Structural parts are painted matte black to suppress stray light leaks. The aperture trim is Softglow® clear. A variety of finishes and colors is available.

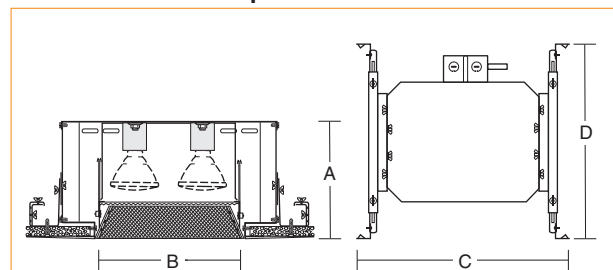
General

Fixtures are pre-wired and thermally protected, UL and C-UL listed for damp location and eight wire 75°C branch circuit wiring. Union made IBEW.

Representative illustration.



Dimensions and Lamps



Number	A Depth	B Aperture	C Width	D Length	Lamps
T4520FM Parallel	7 1/4" 184mm	4 1/2" x 8 1/2" 114mm x 216mm	19 7/8" 505mm	14 1/4" 362mm	Two 40-75W PAR-16FL Two 35-50W PAR-20FL Two 50-75W PAR-30FL*
T4620FM Perpendicular	7 1/4" 184mm	4 1/2" x 8 1/2" 114mm x 216mm	19 7/8" 505mm	14 1/4" 362mm	Two 40-75W PAR-16FL Two 35-50W PAR-20FL Two 50-75W PAR-30FL*

* Short neck version only.

Accessories

- SB Softglow black trim.
- SG Softglow gold trim.
- SH Softglow mocha trim.
- SP Softglow graphite trim.
- ST Softglow titanium trim.
- SW Softglow wheat trim.
- SY Softglow pewter trim.
- SZ Softglow bronze trim.
- BR Bright trim finish.
- WR White trim return.
- WHT White complete trim.
- WRL Wattage restriction label, specify wattage.
- FMW Flush mount wood, contact factory.

Matching Rectangular Units

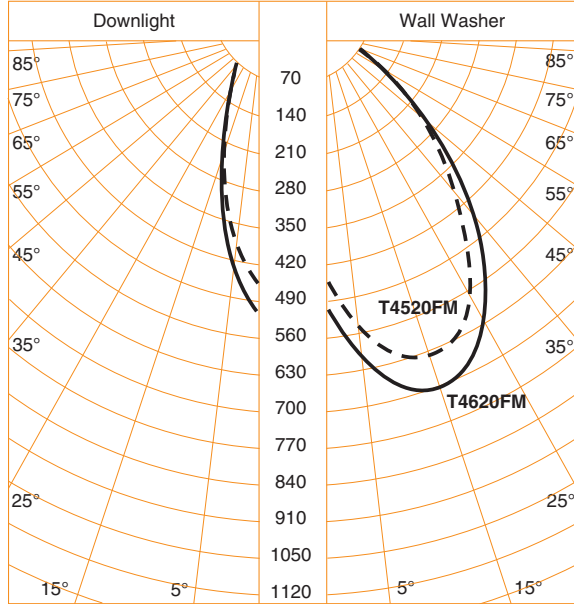
Straight downlights
 Directional downlights

[Section FMT 7](#)
[Section FMT 8](#)

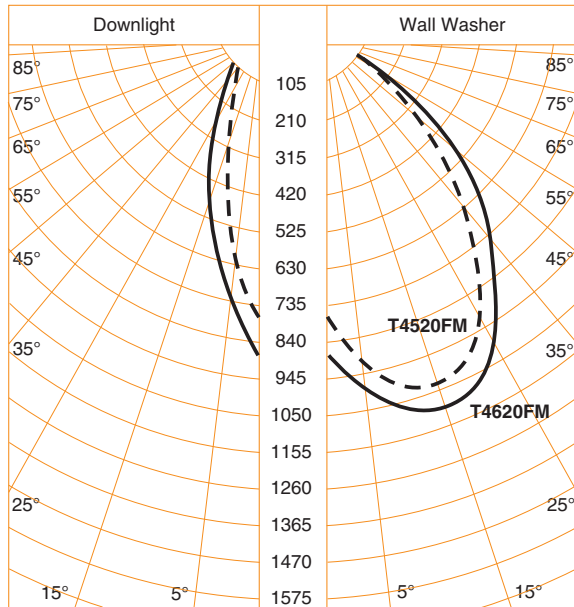
FMT T4520FM T4620FM

9-2

Candlepower Distribution Curves



T4520FM Two 50W PAR-20 NFL Read Dotted Line
T4620FM Two 50W PAR-20 NFL Read Solid Line



T4520FM Two 75W PAR-16 NFL Read Dotted Line
T4620FM Two 75W PAR-16 NFL Read Solid Line

Brightness

Number	Lamps	85°	75°	65°	55°	45°
T4520FM	Two 50W PAR-20 NFL	22	79	179	2999	9954
	Two 75W PAR-16 NFL	34	121	275	4535	15236
T4620FM	Two 50W PAR-20 NFL	15	71	195	3686	12016
	Two 75W PAR-16 NFL	22	102	361	5311	17310

Data in footcandle. Photometer readings, Maximum Brightness Method. For a complete discussion refer to Z section brochure Z1 in catalog.

Multiple Units Footcandles

From Ceiling	2' from wall		3' from wall				4' from wall					
	2' Centers		3' Centers		3' Centers		4' Centers		4' Centers		6' Centers	
	CL	Mid	CL	Mid	CL	Mid	CL	Mid	CL	Mid	CL	Mid
1'	22	18	19	11	7	5	6	3	3	2	2	1
2'	30	26	25	16	12	11	10	7	6	5	5	2
3'	26	24	20	15	14	12	12	8	7	6	6	3
4'	20	19	14	12	13	12	10	8	8	7	6	4
5'	15	14	10	9	11	10	9	7	7	7	6	4
6'	11	11	8	7	9	9	7	6	7	6	5	4
7'	9	8	6	5	7	7	6	5	6	6	4	3
8'	7	7	4	4	6	6	5	4	5	5	4	3
9'	5	5	4	3	5	5	4	4	4	4	3	3
10'	4	4	3	3	4	4	3	3	4	4	3	2

T4520FM Two 50W PAR-20 NFL Read Top Data
T4620FM Two 50W PAR-20 NFL Read Bottom Data

From Ceiling	2' from wall		3' from wall				4' from wall					
	2' Centers		3' Centers		3' Centers		4' Centers		4' Centers		6' Centers	
	CL	Mid	CL	Mid	CL	Mid	CL	Mid	CL	Mid	CL	Mid
1'	31	26	26	16	8	7	7	4	3	2	2	1
2'	49	44	39	27	18	16	15	10	8	7	6	4
3'	43	40	33	25	22	20	19	13	11	10	9	5
4'	33	32	24	20	21	20	17	14	13	11	10	6
5'	24	24	17	15	18	17	15	12	12	11	9	7
6'	18	18	12	12	15	14	12	11	11	11	8	6
7'	14	14	9	9	12	12	10	9	10	10	7	6
8'	11	11	7	7	10	10	8	7	8	8	6	5
9'	8	8	5	5	8	8	6	6	7	7	5	5
10'	7	7	4	4	7	6	2	5	6	6	4	4

T4520FM Two 75W PAR-16 NFL Read Top Data
T4620FM Two 75W PAR-16 NFL Read Bottom Data

Notes

- Increasing the spacing between fixtures will decrease wall illumination. Decrease equals table spacing divided by new spacing times table average.
- To increase wall illumination level, decrease spacing between fixtures. Increase equals table spacing divided by new spacing times table average.
- Above data measures output of the wall washers only. No contribution from adjacent downlights or ceiling, floor or wall reflectances is included. Total illumination on the wall will increase with the contribution from other sources.
- Data is cosine corrected to the plane of the wall. Uncorrected data is substantially higher and depends upon the angle of incidence to the wall which varies with the mounting distance from the wall.