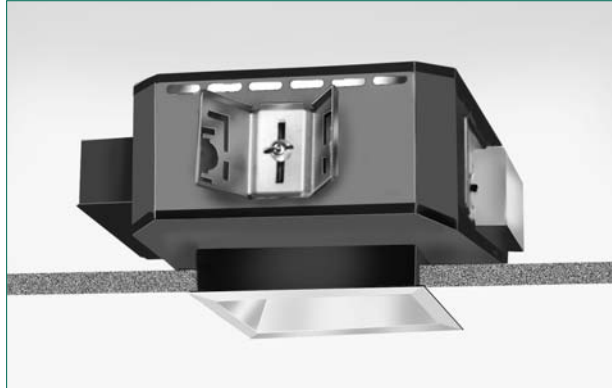
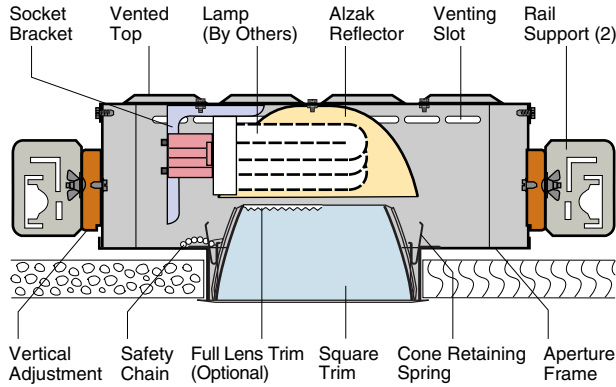


H8443

H22a



Shallow Depth Downlight
One 26 or 32W Triple Tube Compact Fluorescent Lamp
4 1/2" Square Parabolic Trim

Optics and Applications

The socket is mounted horizontally in an ellipsoidal primary reflector. Recess depth is reduced for shallow plenums. Use in low to medium height ceilings for corridors, entries and for general and area lighting.

Design Features

A steel housing protects and aligns reflectors and lamps. The socket and ballast will accept 26 or 32W triple tube wattages interchangeably. The square trim is stabilized by a proprietary steel web to prevent racking and is held to the ceiling by constant pressure springs. Maximum ceiling thickness 7/8". Ballast and lamp service from below.

Finish

Housings and structural parts are painted matte black to suppress stray light leaks. Standard trims are anodized Softglow® clear. Special finishes, textures and colors are available, see below under Accessories.

Trim Textures

Textured trims create a subtle new aperture appearance. Select among different embossed patterns to match the ambiance of the space being illuminated. Refer to Squares brochure for descriptive photos.

Ballasts

Fully electronic, microprocessor controlled with programmed start to assure rated lamp life. Input voltage ranges from 120V through 277V. Operates 26 or 32W lamps interchangeably. Power factor .98, starting temperature 0°F (-18°C), THD<10%. Pre-heat start < 1.0 second. End of lamp life protection. Rated for > 50,000 starts.

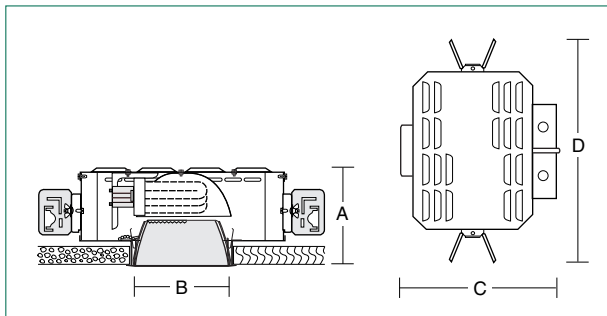
General

Fixtures are pre-wired, UL and C-UL listed for eight wire 75°C branch circuit wiring. Union made IBEW. Suitable for damp locations.

Accessories

- R2 26" support rails.
- R5 52" support rails.
- SB Softglow black.
- SG Softglow gold.
- SH Softglow mocha.
- SP Softglow graphite.
- ST Softglow titanium.
- SW Softglow wheat.
- SY Softglow pewter.
- SZ Softglow bronze.
- BR Bright trim finish.
- FR Frosting on lens.
- F Fuse.
- FLT4 Full lens trim, specify lens type, e.g. H8443-FLT4LL.
- WRL Wattage restriction label, specify wattage.
- EM Emergency power includes integral charger light and test switch visible through aperture. Battery operation for 90 minutes.
- WT White trim flange.
- WHT White complete trim.
- BP Ball Peen texture.
- CG Corrugated texture.
- DS Distressed texture.
- WV Woven texture.
- LL Linear spread lens.
- LP Large prism lens.
- MP Microprism lens.
- V347 347 volt ballast.
- FC Four cell cross baffle.
- DM Dimming ballast.

Dimensions and Lamps



Number	A Depth	B Aperture	C Width	D Length	Lamps
H8443	5 1/2" 140mm	4 1/2" sq. 114mm	13 1/2" 343mm	19" 483mm	26-32W TripleTube compact fluorescent

Matching Square Units

- Vertical lamp fluorescent Page H21
- Low voltage Page H1
- PAR lamps Page H2
- Directional Pages H1, H2
- Halogena, A lamps Page H3
- Tungsten halogen Page H4
- Metal halide Pages H24, H25, H25a
- Wall washers Pages H31, H32, H33, H34, H35, H36

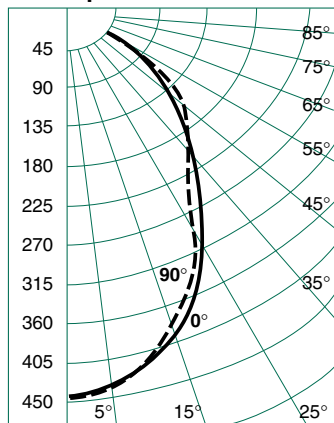
H22a H8443

Performance Datachart

Single Unit Initial Footcandles, 30" Work Plane						Ceiling to Floor		Multiple Units Initial Footcandles, 30" Work Plane						
H8443 26W Philips Triple Tube Read Top Data								Ceiling 80% Walls 50% Floor 20%						
H8443 32W Philips Triple Tube Read Bottom Data								Spacing is Maximum Over Work Plane						
Nadir		10°		20°		30°								
FC	Diam	FC	Diam	FC	Diam	FC	Diam	Spacing	RCR 1	RCR 3	RCR 8			
15	13	2'	10	4'	5	6'	8'		5'	26	22	14		
18	16	2'	12	4'	7	6'			6'	29	25	16		
11	9	2'	7	5'	4	8'	9'		6'	19	16	10		
13	11	2'	9	5'	5	8'			7'	21	18	11		
8	7	3'	5	5'	3	9'	10'		7'	14	12	8		
9	9	3'	7	5'	4	9'			8'	16	13	9		
6	6	3'	4	6'	2	10'	11'		8'	11	9	6		
7	7	3'	5	6'	3	10'			9'	12	10	7		
5	4	3'	3	7'	2	11'	12'		9'	9	7	5		
6	5	3'	4	7'	2	11'			10'	10	8	5		

See notes 2, 3 and 4.

Candlepower Distribution

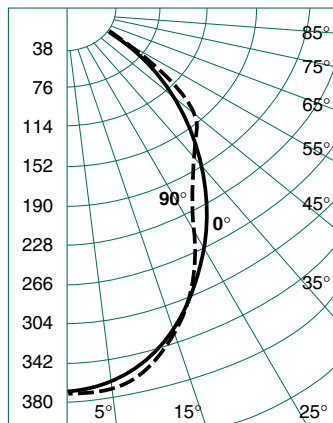


H8443 One 26W Triple Tube Philips
Eff. 35% S/M 0° .94 S/M 90° .91

Candelas

°	0°	90°
	1800*	1800*
0	445	445
5	440	441
10	422	417
15	393	386
20	355	346
25	307	293
30	254	231
35	211	208
40	173	190
45	143	156
50	104	120
55	57	80
60	20	35
65	9	10
70	0	0
75	0	0
80	0	0
85	0	0
90	0	0

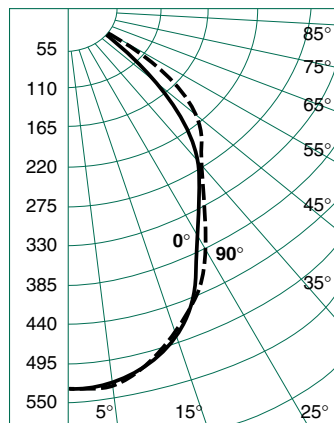
° Vertical Angles
* Initial Lamp Lumens



H8443 One 26W Triple Tube Osram
Eff. 30% S/M 0° .98 S/M 90° .92

°	0°	90°
	1800*	1800*
0	375	375
5	368	375
10	354	361
15	336	329
20	308	289
25	268	251
30	225	201
35	188	176
40	157	164
45	123	149
50	89	120
55	45	76
60	14	30
65	8	9
70	0	0
75	0	0
80	0	0
85	0	0
90	0	0

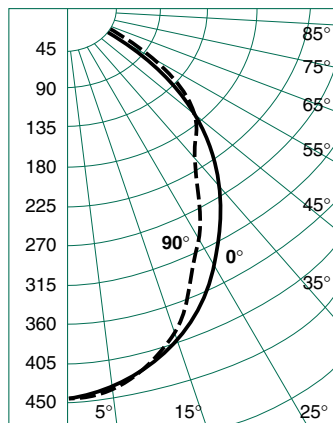
° Vertical Angles
* Initial Lamp Lumens



H8443 One 32W Triple Tube Philips
Eff. 34% S/M 0° 1.04 S/M 90° .96

°	0°	90°
	2400*	2400*
0	531	531
5	528	532
10	510	506
15	484	475
20	449	436
25	404	378
30	359	310
35	310	272
40	257	247
45	200	201
50	139	155
55	78	105
60	28	50
65	12	13
70	0	0
75	0	0
80	0	0
85	0	0
90	0	0

° Vertical Angles
* Initial Lamp Lumens



H8443 One 32W Triple Tube Osram
Eff. 28% S/M 0° 1.03 S/M 90° .93

°	0°	90°
	2400*	2400*
0	449	449
5	445	443
10	428	426
15	405	391
20	373	349
25	338	303
30	299	244
35	259	209
40	219	190
45	168	174
50	115	141
55	60	89
60	18	34
65	10	10
70	0	0
75	0	0
80	0	0
85	0	0
90	0	0

° Vertical Angles
* Initial Lamp Lumens

Notes

- 1 Softglow® cone multipliers: Gold x .89, Wheat x .87, Pewter x .73, Mocha x .75, Graphite x .70, Titanium x .70, Bronze x .68.
- 2 Single unit Datachart pattern diameters are determined by the number of degrees from each side of nadir. Therefore a 20° diameter represents a total 40° pattern width at the work plane 30" above the floor. Footcandle values are at the edge of that diameter.
- 3 Datachart spacing is rounded off to the nearest foot.
- 4 Data by IES methods. Compact fluorescent data vary due to lamp lumen differences, power input, burning position, ambient temperature and ballast characteristics. A modification factor should be applied.