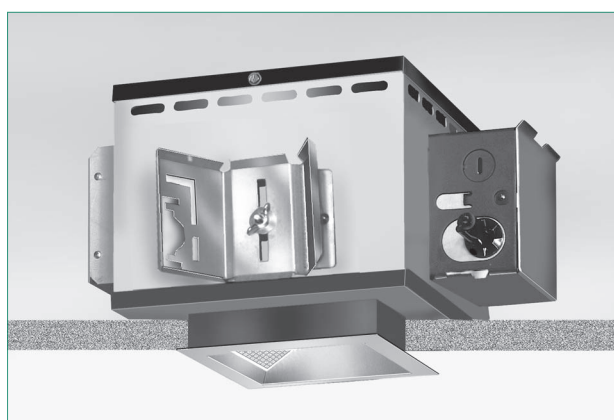
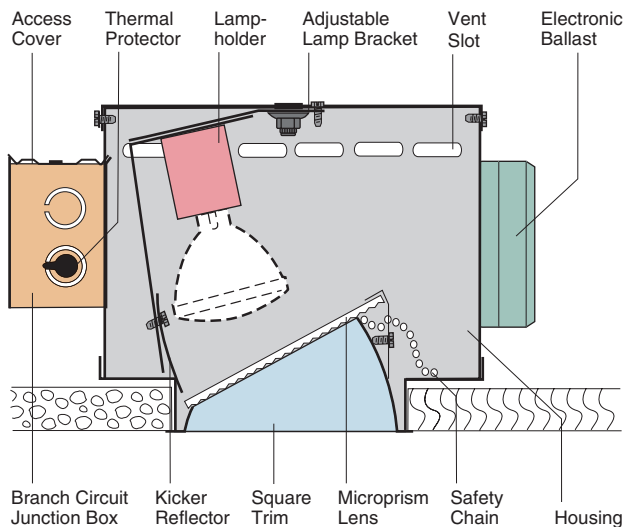


H8452



Wall Washer
One 39W PAR-20 Metal Halide Lamp
4 1/2" Square Parabolic Trim

Optics and Applications

The kicker reflector redirects PAR lamp output through a microprism spread lens for wide lateral spread, light close to the ceiling and a uniformly illuminated wall. The pattern is devoid of hot spots or striations. Suitable for damp locations. Use to wash walls or accentuate objects of special interest.

Design Features

The housing protects all optical components. It is vented for air flow cooling to assure full rated lamp life. The trim is stabilized to prevent racking and is held to the ceiling by constant pressure springs. After installation, the trim and optical assembly may be rotated 360° in 90° increments if orientation to the wall is incorrect. Maximum ceiling thickness 7/8". Top or bottom service.

Finish

Housing and structural parts are painted matte black to suppress stray light leaks. Standard trim is anodized Softglow® clear. Special finishes, textures and colors available, see below under Accessories.

Trim Textures

Textured trims create a subtle new aperture appearance. Select among different embossed patterns to match the ambiance of the space being illuminated. Refer to Squares brochure for descriptive photos.

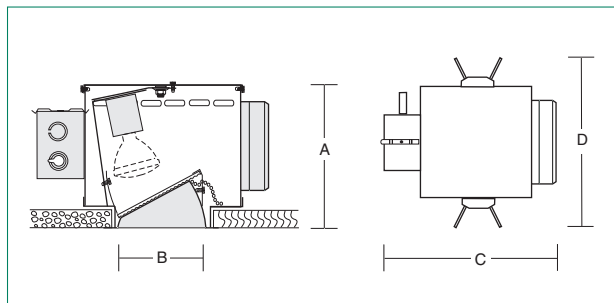
Ballast

Electronic metal halide ballasts provide more constant lumen and wattage output. They feature thermal protection with auto reset, fast restrike, quiet operation and automatic shutdown at end of life.

General

Fixtures are pre-wired, thermally protected, UL and C-UL listed for eight wire 75°C branch circuit wiring. Union made IBEW. Luminaire Efficiency Ratings (LER) do not apply to wall washers.

Dimensions and Lamps



Number	A Depth	B Aperture	C Width	D Length	Lamp*
H8452	7 1/4" 184mm	4 1/2" sq. 114mm	12 1/2" 318mm	14" 356mm	39W PAR-20 Metal halide NFL

*Specify watts and volts for proper ballast, e.g. H8452-39277.

Matching Square Units

Directional downlights [Pages H1, H2, H24](#)
 Straight downlights [Pages H3, H4, H21, H25](#)

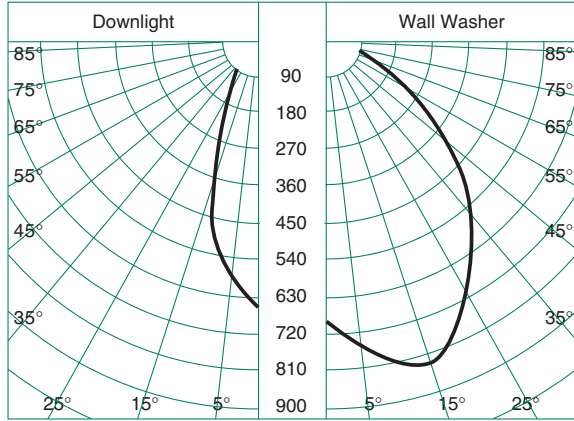
* Click for link to pages in blue.

Accessories

- R2 26" support rails.
 - R5 52" support rails.
 - SB Softglow black.
 - SG Softglow gold.
 - SH Softglow mocha.
 - SP Softglow graphite.
 - ST Softglow titanium.
 - SW Softglow wheat.
 - SY Softglow pewter.
 - SZ Softglow bronze.
 - F Fuse.
 - V347 347 volt ballast, contact the factory.
 - EC Emergency circuit with mini-can socket and leads.
 - AOE1 Electronic ballast Auto-On restrike system 120V. For 277V, contact the factory.
 - WT White trim flange.
 - WHT White complete trim.
 - BP Ball Peen texture.
 - CG Corrugated texture.
 - DS Distressed texture.
 - WV Woven texture.
 - BR Bright trim finish.
 - LL Linear spread lens.
 - LP Large prism lens.
 - FR Frosting on lens, specify lens type.
- See Squares brochure for more accessories data.

H36 H8452

Candlepower Distribution Curves



H8452 39W PAR-20 NFL Metal Halide

Brightness

Number	Lamps	85°	75°	65°	55°	45°
H8452	39W PAR-20 NFL MH	20	76	170	2901	9648

Data in footlamberts. Photometer reading.
Maximum Brightness Method. See note 7.

Multiple Units Footcandles

From Ceiling	2' from wall		3' from wall		4' from wall							
	2' Centers		3' Centers		4' Centers		6' Centers					
	C/L	Mid	C/L	Mid	C/L	Mid	C/L	Mid				
1'	36	29	33	16	12	8	11	3	4	3	2	1
2'	48	49	38	29	19	17	17	10	9	7	8	3
3'	42	44	30	28	21	22	18	15	11	11	9	5
4'	32	34	22	22	20	21	16	15	12	13	10	7
5'	25	25	16	17	18	18	14	13	12	12	9	7
6'	19	19	12	13	15	15	11	11	11	11	8	7
7'	14	15	9	10	12	12	9	9	10	10	7	6
8'	11	11	7	7	10	10	8	8	8	9	6	6
9'	9	9	6	6	8	8	6	6	7	7	5	5
10'	7	7	5	5	7	7	5	5	6	6	4	4

H8452 39W PAR-20 NFL Metal Halide

Notes

- All data calculated with Softglow® clear trims and a microprism spread lens.
- If colored trims are required, only the lens trim will be tinted. The kicker reflector is always clear Alzak for maximum output and true color rendition. Multipliers should be used to correct brightness and downlight data only. Multiple units footcandles are correct as reported above.
- Colored trim multipliers: Gold x .90, Wheat x .85, Mocha x .80, Pewter x .80, Graphite x .75, Titanium x .75, Bronze x .70, Black x .70.
- Data are cosine corrected to the plane of the wall. Uncorrected data are much higher and depend upon the angle of incidence to the wall which varies with the mounting distance from the wall.
- Kurt Versen wall washers minimize hard shadow lines at the ceiling. Intensity increases gradually to just above eye level. The illuminated field is uniform and devoid of hot spots, striations and spikes.
- Above data measure output of the wall washers only. No contribution from adjacent downlights or ceiling, floor or wall reflectances is included. Total illumination on the wall increases with the contribution from other sources.
- Brightness data from the Average Luminance Method are inaccurate for downlights. They are theoretical calculations for large surfaces such as troffer lenses. We recommend the stricter standard of Maximum Brightness Method point data from direct photometer readings. They approximate what the human eye perceives when evaluating glare. For more information refer to Z section brochure Z1.