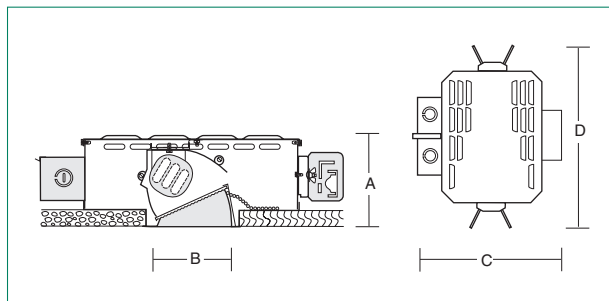


### Dimensions and Lamps



| Number | A<br>Depth   | B<br>Aperture    | C<br>Width    | D<br>Length  | Lamps                                     |
|--------|--------------|------------------|---------------|--------------|---|
| H8453  | 5½"<br>140mm | 4½" sq.<br>114mm | 13½"<br>343mm | 19"<br>483mm | 26-32-42W Triple Tube compact fluorescent |

### Matching Square Units

Directional downlights  
Straight downlights

[Pages H1, H2, H24](#)  
[Pages H3, H4, H21, H25](#)

\* Click for link to pages in blue.

# H8453

# H31

## Wall Washer

One 26-32-42W Triple Tube Compact Fluorescent Lamp  
4½" Square Parabolic Trim

### Optics and Applications

Reflectors work with a microprism spread lens to produce wide lateral spread, light close to the ceiling and a uniformly illuminated wall. The pattern is devoid of hot spots or striations. Suitable for damp locations. Use to wash walls or accentuate objects of special interest.

### Design Features

A steel housing protects and aligns the reflector and lamp. The trim is stabilized to prevent racking and is retained by constant pressure springs. After installation, the trim and optical assembly may be rotated 360° in 90° increments if orientation to the wall is incorrect. Maximum ceiling thickness 7/8". Top or bottom service.

### Finish

Housing and structural parts are painted matte black to suppress stray light leaks. Standard trim is anodized Softglow® clear. Special finishes, textures and colors available, see below under Accessories.

### Trim Textures

Textured trims create a subtle new aperture appearance. Select among different embossed patterns to match the ambiance of the space being illuminated. Refer to Squares brochure for descriptive photos.

### Ballast

Fully electronic, microprocessor controlled with programmed start to assure rated lamp life. Input voltage ranges from 120V through 277V. Operates 26W, 32W or 42W triple tube lamps interchangeably. Power factor .98, starting temperature 0°F (-18°C), THD<10%. Pre-heat start < 1.0 second End of lamp life protection. Rated for > 50,000 starts.

### General

Fixtures are pre-wired, UL and C-UL listed for eight wire 75°C branch circuit wiring. Union made IBEW. Luminaire Efficiency Ratings (LER) do not apply to wall washers.

### Accessories

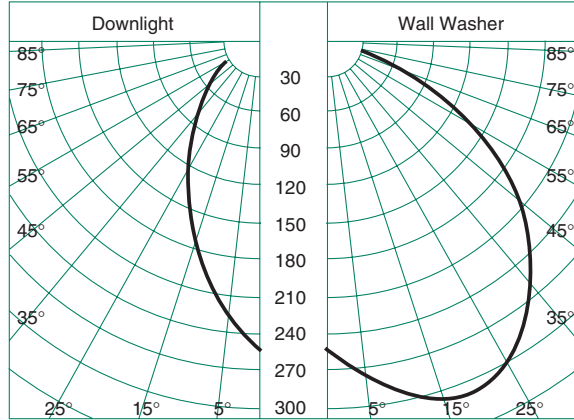
- |    |   |      |                      |
|----|---|------|----------------------|
| R2 | 26" support rails.  | WT   | White trim flange.   |
| R5 | 52" support rails.  | WHT  | White complete trim. |
| SB | Softglow black.   | BP   | Ball Peen texture.   |
| SG | Softglow gold.  | CG   | Corrugated texture.  |
| SH | Softglow mocha.   | DS   | Distressed texture.  |
| SP | Softglow graphite.  | WV   | Woven texture.       |
| ST | Softglow titanium.  | BR   | Bright trim finish.  |
| SW | Softglow wheat.   | LL   | Linear spread lens.  |
| SY | Softglow pewter.  | LP   | Large prism lens.    |
| SZ | Softglow bronze.  | FR   | Frosting on lens.    |
| F  | Fuse.   | V347 | 347 volt ballast.    |
| DM | Dimming ballast. Specify watts and volts.   |      |                      |
| EM | Emergency power includes integral charger light and test switch visible through aperture. Battery operation for 90 minutes. |      |                      |

WRL Wattage restriction label, specify wattage.

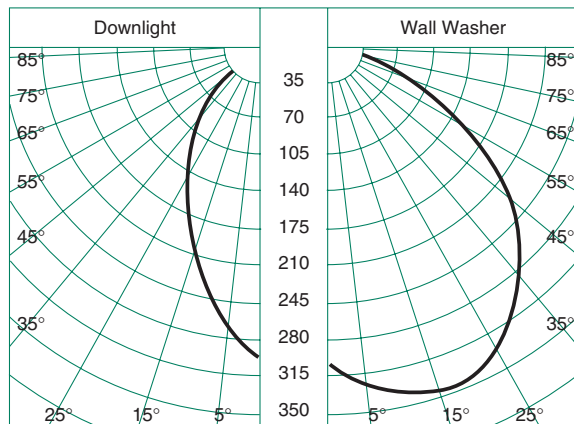
See Squares brochure for more accessories data.

# H31 H8453

## Candlepower Distribution Curves



H8453 One 32W Triple tube. For 26W, x .95



H8453 One 42W Triple tube.

## Brightness

| Number | Lamps           | 85° | 75° | 65° | 55°  | 45°   |
|--------|-----------------|-----|-----|-----|------|-------|
| H8453  | 26W Triple tube | 20  | 83  | 181 | 2712 | 7552  |
|        | 32W Triple tube | 26  | 108 | 234 | 3513 | 9781  |
|        | 42W Triple tube | 34  | 144 | 312 | 4684 | 13041 |

Data in footlamberts, photometer reading.  
Maximum Brightness Method. See note 8.

## Multiple Units Footcandles

| From Ceiling | 2' from wall |     | 3' from wall |     | 4' from wall |     |            |     |   |   |   |   |
|--------------|--------------|-----|--------------|-----|--------------|-----|------------|-----|---|---|---|---|
|              | 2' Centers   |     | 3' Centers   |     | 4' Centers   |     | 6' Centers |     |   |   |   |   |
|              | C/L          | Mid | C/L          | Mid | C/L          | Mid | C/L        | Mid |   |   |   |   |
| 1'           | 23           | 16  | 20           | 10  | 6            | 5   | 6          | 2   | 2 | 1 | 2 | 1 |
| 2'           | 29           | 26  | 23           | 16  | 13           | 11  | 11         | 7   | 6 | 4 | 5 | 2 |
| 3'           | 23           | 22  | 16           | 14  | 13           | 12  | 11         | 8   | 7 | 6 | 6 | 3 |
| 4'           | 17           | 16  | 11           | 11  | 11           | 11  | 9          | 8   | 8 | 7 | 6 | 4 |
| 5'           | 12           | 12  | 8            | 8   | 9            | 9   | 7          | 7   | 7 | 6 | 5 | 4 |
| 6'           | 9            | 9   | 6            | 6   | 7            | 7   | 6          | 5   | 6 | 6 | 4 | 4 |
| 7'           | 6            | 7   | 4            | 4   | 6            | 6   | 5          | 4   | 5 | 5 | 3 | 3 |
| 8'           | 5            | 5   | 3            | 3   | 5            | 5   | 4          | 4   | 4 | 4 | 3 | 3 |
| 9'           | 4            | 4   | 3            | 3   | 4            | 4   | 3          | 3   | 4 | 3 | 2 | 2 |
| 10'          | 3            | 3   | 2            | 2   | 3            | 3   | 2          | 2   | 3 | 3 | 2 | 2 |

H8453 One 32W Triple tube. For 26W x .95

| From Ceiling | 2' from wall |     | 3' from wall |     | 4' from wall |     |    |    |    |   |   |   |
|--------------|--------------|-----|--------------|-----|--------------|-----|----|----|----|---|---|---|
|              | 2' Centers   |     | 3' Centers   |     | 6' Centers   |     |    |    |    |   |   |   |
|              | C/L          | Mid | C/L          | Mid | C/L          | Mid |    |    |    |   |   |   |
| 1'           | 31           | 22  | 27           | 13  | 9            | 6   | 8  | 3  | 3  | 2 | 3 | 1 |
| 2'           | 38           | 34  | 30           | 21  | 17           | 14  | 15 | 8  | 8  | 6 | 7 | 3 |
| 3'           | 29           | 28  | 21           | 18  | 17           | 16  | 14 | 11 | 10 | 8 | 8 | 4 |
| 4'           | 21           | 20  | 14           | 13  | 15           | 14  | 12 | 10 | 10 | 9 | 8 | 5 |
| 5'           | 15           | 14  | 10           | 10  | 12           | 11  | 9  | 9  | 9  | 8 | 6 | 5 |
| 6'           | 11           | 11  | 7            | 7   | 9            | 9   | 7  | 7  | 8  | 7 | 5 | 5 |
| 7'           | 8            | 8   | 5            | 5   | 7            | 7   | 6  | 5  | 6  | 6 | 4 | 4 |
| 8'           | 6            | 6   | 4            | 4   | 6            | 6   | 5  | 4  | 5  | 5 | 4 | 3 |
| 9'           | 5            | 5   | 3            | 3   | 5            | 5   | 4  | 4  | 4  | 4 | 3 | 3 |
| 10'          | 4            | 4   | 3            | 3   | 4            | 4   | 3  | 3  | 4  | 4 | 3 | 2 |

H8453 One 42W Triple tube.

## Notes

- 1 Data by IES methods. Compact fluorescent data vary due to lamp lumen differences, power input, burning position, ambient temperature and ballast characteristics. A modification factor should be applied.
- 2 Above data measure output of the wall washers only. No contribution from adjacent downlights or ceiling, floor or wall reflectances is included. Total illumination on the wall increases with the contribution from other sources.
- 3 If colored trims are required, only the lens trim will be tinted. Primary and kicker reflectors are always clear Alzak for maximum output and true color rendition. Multipliers should be used to correct brightness and downlight data only. Multiple units footcandles are correct as reported above.
- 4 Colored trim multipliers: Gold x .90, Wheat x .85, Mocha x .80, Pewter x .80, Graphite x .75, Titanium x .75, Bronze x .70, Black x .70.
- 5 Data are cosine corrected to the plane of the wall. Uncorrected data would be substantially higher and depend upon the angle of incidence to the wall which varies with mounting distance from the wall.
- 6 Kurt Versen wall washers minimize hard shadow lines at the ceiling. Intensity increases gradually to just above eye level. The illuminated field is uniform and devoid of hot spots, striations and spikes.
- 7 All data calculated with Softglow® clear trims and a prismatic spread lens.
- 8 Brightness data from the Average Luminance Method are inaccurate for downlights. They are theoretical calculations for large surfaces such as troffer lenses. We recommend the stricter standard of Maximum Brightness Method point data from direct photometer readings. They approximate what the human eye perceives when evaluating glare. For more information refer to Z section brochure Z1.