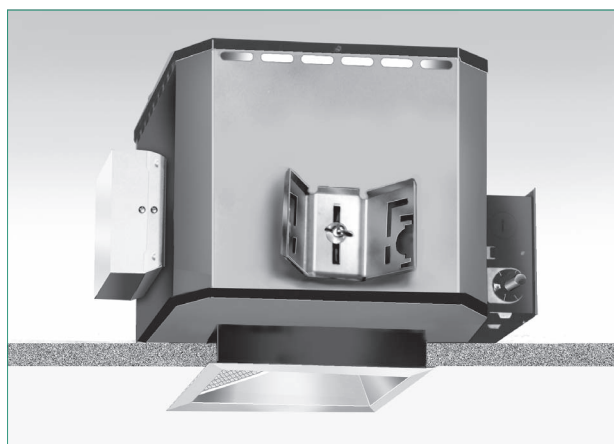
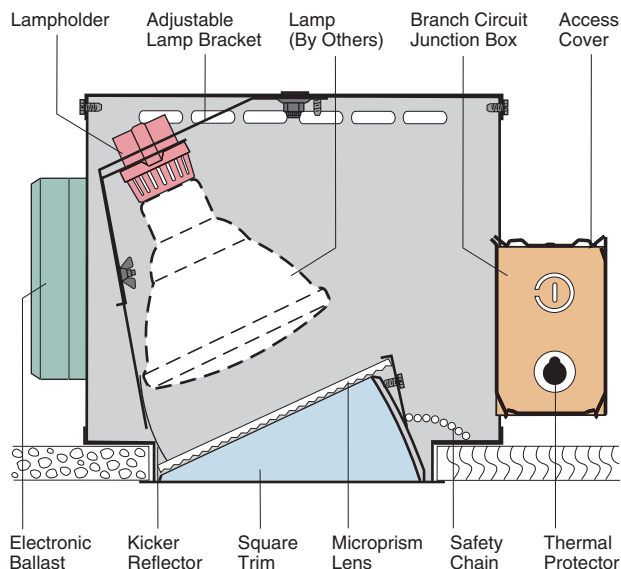
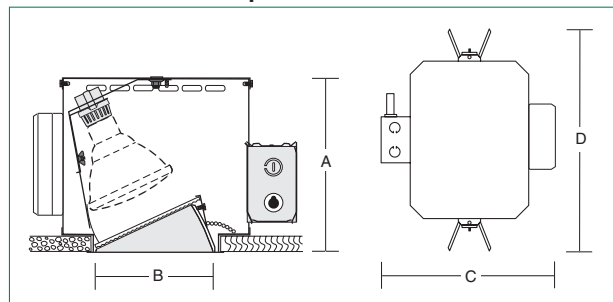


H8651



Dimensions and Lamps



Number	A Depth	B Aperture	C Width	D Length	Lamps*
H8651	9 1/2" / 242mm	6" sq. / 153mm	14 1/4" / 362mm	19" / 483mm	70-100W PAR-38 Metal Halide**

*Specify watts and volts for proper ballast, e.g. H8651-70277.
 **For 150W PAR-38 MH, contact the factory.

Wall Washer

One 70-100W PAR-38 Metal Halide Lamp
 6" Square Parabolic Trim

Optics and Applications

The kicker reflector gathers and redirects PAR lamp output through a prismatic spread lens for wide lateral spread, light close to the ceiling and a uniformly illuminated wall. The pattern is devoid of hot spots or striations. Suitable for protected damp locations. Use to wash walls or accentuate objects of special interest.

Design Features

The housing protects all optical components. It is vented for air flow cooling to assure full rated lamp life. The trim is stabilized to prevent racking and is held to the ceiling by constant pressure springs. After installation, the trim and optical assembly may be rotated 360° in 90° increments if orientation to the wall is incorrect. Maximum ceiling thickness 7/8". Top or bottom service.

Finish

Housing and structural parts are painted matte black to suppress stray light leaks. Standard trim is anodized Softglow® clear. Special finishes, textures and colors available, see below under Accessories.

Ballasts

Electronic metal halide ballasts provide improved color uniformity, dual voltage, higher CRI and more constant lumen and wattage output. They feature fast restrike, thermal protection with auto reset and allow more fixtures per branch circuit for significant initial cost savings. Quiet operation and automatic shutdown at end of life.

Trim Textures

Textured trims create a subtle new aperture appearance. Select among different embossed patterns to match the ambiance of the space being illuminated. Refer to Squares brochure for descriptive photos.

General

Fixtures are pre-wired, thermally protected, UL and C-UL listed for eight wire 75°C branch circuit wiring. Union made IBEW. Suitable for protected damp locations. Luminaire Efficiency Ratings (LER) do not apply to wall washers.

Accessories

- SB Softglow black.
- SG Softglow gold.
- SH Softglow mocha.
- SP Softglow graphite.
- ST Softglow titanium.
- SW Softglow wheat.
- SY Softglow pewter.
- SZ Softglow bronze.
- F Ballast fuse.
- R2 26" support rails.
- R5 52" support rails.
- BP Ball Peen texture.
- CG Corrugated texture.
- DS Distressed texture.
- WV Woven texture.
- BR Bright trim finish.
- WT White trim flange.
- WHT White complete trim.

See Squares brochure for more accessories data.

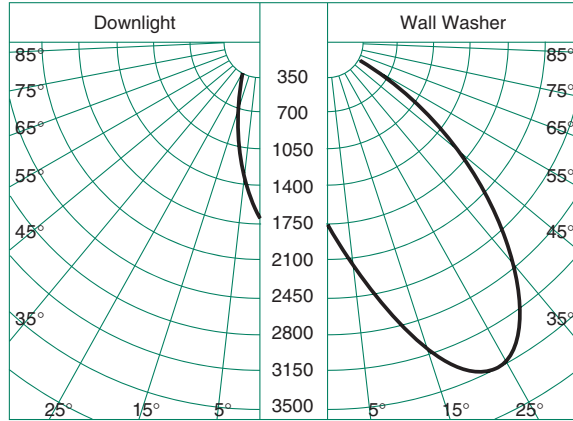
Matching Square Units ***

- Directional downlights [Pages H5, H6, H9, H24, H27](#)
- Straight downlights [Pages H7, H8, H10, H11, H22, H23, H26, H28](#)

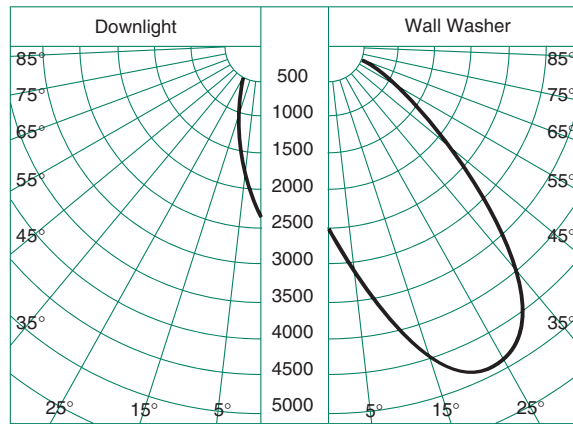
*** Click for link to pages in blue.

H42 H8651

Candlepower Distribution Curves



H8651 70W MH PAR-38 FL



H8651 100W MH PAR-38 FL

Brightness

Number	Lamps	85°	75°	65°	55°	45°
H8651	70W PAR-38 FL	119	311	576	5380	14468
	100W PAR-38 FL	174	460	844	7892	21220

Data in footlamberts. Photometer readings. Maximum Brightness Method. See note 7.

Multiple Units Footcandles

From Ceiling	2' from wall		3' from wall				4' from wall					
	2' Centers		3' Centers		3' Centers		4' Centers		4' Centers		6' Centers	
	C/L	Mid	C/L	Mid	C/L	Mid	C/L	Mid	C/L	Mid	C/L	Mid
1'	82	60	73	34	18	14	17	7	6	4	6	2
2'	175	130	155	76	53	42	48	23	20	15	18	7
3'	159	134	132	81	79	63	71	35	34	25	30	11
4'	112	103	86	65	78	67	68	40	45	34	39	15
5'	77	73	56	47	66	59	55	38	46	37	39	18
6'	54	52	38	34	52	48	42	33	41	35	34	18
7'	39	38	27	25	40	38	32	27	35	31	28	17
8'	29	28	20	19	31	30	24	22	29	27	22	16
10'	17	17	12	11	20	19	15	14	20	19	15	12
12'	11	11	8	8	13	13	10	9	14	13	10	9

H8651 70W MH PAR-38 FL

From Ceiling	2' from wall		3' from wall				4' from wall					
	2' Centers		3' Centers		3' Centers		4' Centers		4' Centers		6' Centers	
	C/L	Mid	C/L	Mid	C/L	Mid	C/L	Mid	C/L	Mid	C/L	Mid
1'	116	83	103	48	25	20	23	10	9	6	8	2
2'	248	184	219	107	75	59	68	32	29	21	25	10
3'	226	190	187	115	112	89	100	49	49	36	43	16
4'	159	146	122	92	111	94	97	57	63	48	55	21
5'	110	104	80	67	93	83	78	54	65	52	55	25
6'	77	74	54	49	73	68	59	47	58	50	48	26
7'	55	54	38	35	57	54	45	38	50	46	39	25
8'	41	40	28	27	44	43	35	31	41	38	32	22
10'	25	24	17	16	28	27	22	20	28	27	21	17
12'	16	16	11	11	19	18	14	13	20	19	14	12

H8651 100W MH PAR-38 FL

Notes

- All data calculated with Softglow® clear trims and a microprism spread lens.
- If colored trims are required, only the lens trim will be tinted. Primary and kicker reflectors are always clear Alzak for maximum output and true color rendition. Multipliers should be used to correct brightness and downlight data only. Multiple units footcandles are correct as reported above.
- Colored trim multipliers: Gold x .90, Wheat x .85, Mocha x .80, Pewter x .80, Graphite x .75, Titanium x .75, Bronze x .70, Black x .70.
- Above data measure output of the wall washers only. No contribution from adjacent downlights or ceiling, floor or wall reflectances is included. Total illumination on the wall will increase with the contribution from other sources.
- Data are cosine corrected to the plane of the wall. Uncorrected data are much higher and depend upon the angle of incidence to the wall which varies with the mounting distance from the wall.
- Kurt Versen wall washers minimize hard shadow lines at the ceiling. Intensity increases gradually to just above eye level. The illuminated field is uniform and devoid of hot spots, striations and spikes.
- Brightness data from the Average Luminance Method are inaccurate for downlights. They are theoretical calculations for large surfaces such as troffer lenses. We recommend the stricter standard of Maximum Brightness Method point data from direct photometer readings. They approximate what the human eye perceives when evaluating glare. For more information refer to Z section brochure Z1.