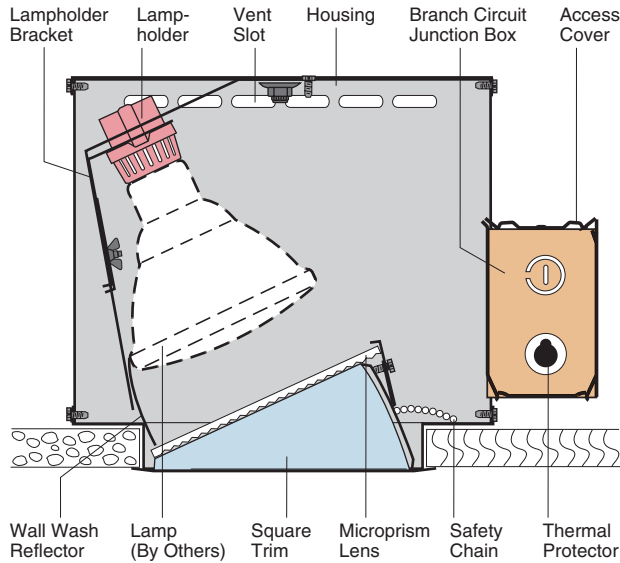


H8658



Wall Washer
One PAR 30 or PAR-38 Lamp
6" Square Parabolic Trim

Optics and Applications

The kicker reflector gathers and redirects PAR lamp output through a microprism spread lens for wide lateral spread, light close to the ceiling and a uniformly illuminated wall. The pattern is devoid of hot spots or striations. Suitable for damp locations. Use to wash walls or accentuate objects of special interest.

Design Features

The housing protects all optical components. It is vented for air flow cooling to assure full rated lamp life. The trim is stabilized to prevent racking and is held to the ceiling by constant pressure springs. After installation, the trim and optical assembly may be rotated 360° in 90° increments if orientation to the wall is incorrect. Maximum ceiling thickness 7/8". Top or bottom service.

Finish

Housing and structural parts are painted matte black to suppress stray light leaks. Standard trim is anodized Softglow® clear. Special finishes, textures and colors available, see below under Accessories.

Trim Textures

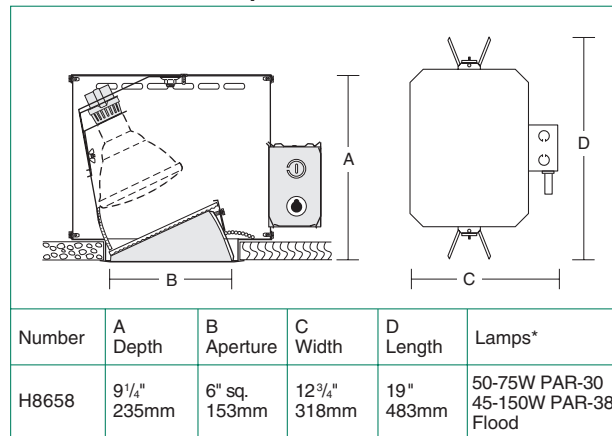
Textured trims create a subtle new aperture appearance. Select among different embossed patterns to match the ambiance of the space being illuminated. Refer to Squares brochure for descriptive photos.

General

Fixtures are pre-wired, thermally protected, UL and C-UL listed for eight wire 75°C branch circuit wiring. Union made IBEW. Luminaire Efficiency Ratings (LER) do not apply to wall washers.



Dimensions and Lamps



*Factory sets focal position for PAR-38. May be converted on the job as required.

Accessories

- R2 26" support rails. WT White trim flange.
- R5 52" support rails. WHT White complete trim.
- SB Softglow black. BP Ball Peen texture.
- SG Softglow gold. CG Corrugated texture.
- SH Softglow mocha. DS Distressed texture.
- SP Softglow graphite. WV Woven texture.
- ST Softglow titanium. BR Bright trim finish.
- SW Softglow wheat. LL Linear spread lens.
- SY Softglow pewter. LP Large prism lens.
- SZ Softglow bronze. FR Frosting on lens.

WRL Wattage restriction label, specify wattage.
 See Squares brochure for more accessories data.

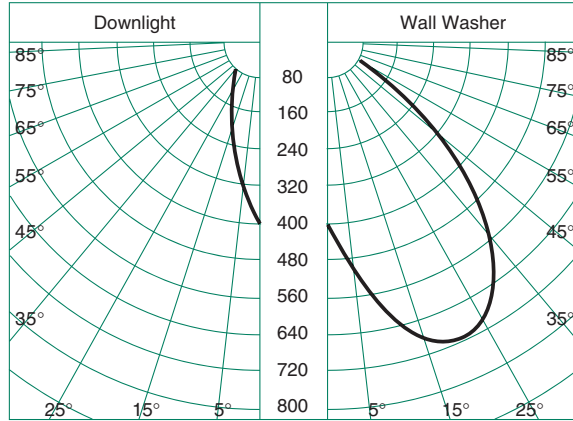
Matching Square Units

- Directional downlights [Pages H5, H6, H9, H24, H27](#)
- Straight downlights [Pages H7, H8, H10, H11, H22, H23, H26, H28](#)

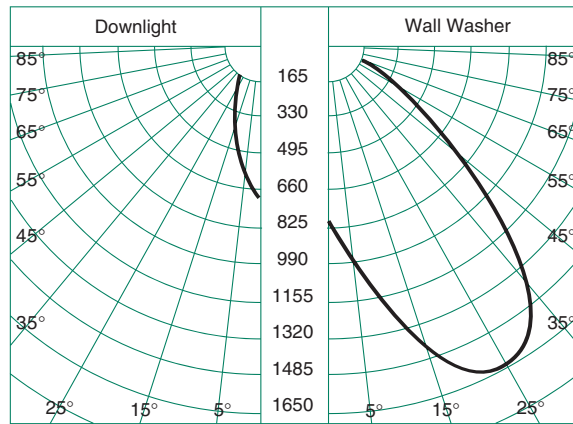
* Click for link to pages in blue.

H39 H8658

Candlepower Distribution Curves



H8658 75W PAR-30/L/FL



H8658 100W PAR-38 FL

Brightness

Number	Lamps	85°	75°	65°	55°	45°
H8658	75W PAR-30/L/FL	26	66	134	918	2578
	100W PAR-38 FL	67	156	312	1647	3678

Data in footlamberts. Photometer readings. Maximum Brightness Method. See note 7.

Multiple Units Footcandles

From Ceiling	2' from wall		3' from wall				4' from wall					
	2' Centers		3' Centers		3' Centers		4' Centers		4' Centers		6' Centers	
	C/L	Mid	C/L	Mid	C/L	Mid	C/L	Mid	C/L	Mid	C/L	Mid
1'	18	15	15	9	4	4	4	2	2	1	2	1
2'	38	34	32	20	12	10	10	6	4	4	4	2
3'	35	34	27	21	17	16	15	9	8	7	6	3
4'	26	26	19	17	17	16	14	11	10	9	8	4
5'	19	19	13	12	15	15	12	10	10	9	8	5
6'	13	13	9	9	12	12	9	9	9	9	7	5
7'	10	10	7	7	10	10	7	7	8	8	6	5
8'	7	7	5	5	8	8	6	6	7	7	5	4
9'	6	6	4	4	6	6	5	5	6	6	4	4
10'	4	4	3	3	5	5	4	4	5	5	3	3

H8658 75W PAR-30/L/FL

From Ceiling	2' from wall		3' from wall				4' from wall					
	2' Centers		3' Centers		3' Centers		4' Centers		4' Centers		6' Centers	
	C/L	Mid	C/L	Mid	C/L	Mid	C/L	Mid	C/L	Mid	C/L	Mid
1'	37	31	33	18	9	8	9	4	4	3	3	1
2'	89	81	76	47	24	22	21	12	9	8	8	3
3'	85	85	66	52	40	37	35	22	16	14	14	6
4'	62	63	44	41	42	41	35	27	22	21	19	10
5'	43	43	29	29	35	36	28	25	24	24	19	12
6'	30	30	20	20	28	29	22	21	22	22	17	12
7'	22	22	14	15	22	22	17	17	19	20	14	12
8'	16	16	11	11	17	17	13	13	16	17	11	10
10'	12	12	8	8	14	14	10	10	13	14	9	9
12'	10	10	6	6	11	11	8	8	11	11	7	7

H8658 100W PAR-38 FL

Notes

- All data calculated with Softglow® clear trims and a microprism spread lens.
- If colored trims are required, only the lens trim will be tinted. Primary and kicker reflectors are always clear Alzak for maximum output and true color rendition. Multipliers should be used to correct brightness and downlight data only. Multiple units footcandles are correct as reported above.
- Colored trim multipliers: Gold x .90, Wheat x .85, Mocha x .80, Pewter x .80, Graphite x .75, Titanium x .75, Bronze x .70, Black x .70.
- Above data measure output of the wall washers only. No contribution from adjacent downlights or ceiling, floor or wall reflectances is included. Total illumination on the wall will increase with the contribution from other sources.
- Data are cosine corrected to the plane of the wall. Uncorrected data are much higher and depend upon the angle of incidence to the wall which varies with the mounting distance from the wall.
- Kurt Versen wall washers minimize hard shadow lines at the ceiling. Intensity increases gradually to just above eye level. The illuminated field is uniform and devoid of hot spots, striations and spikes.
- Brightness data from the Average Luminance Method are inaccurate for downlights. They are theoretical calculations for large surfaces such as troffer lenses. We recommend the stricter standard of Maximum Brightness Method point data from direct photometer readings. They approximate what the human eye perceives when evaluating glare. For more information refer to Z section brochure Z1.