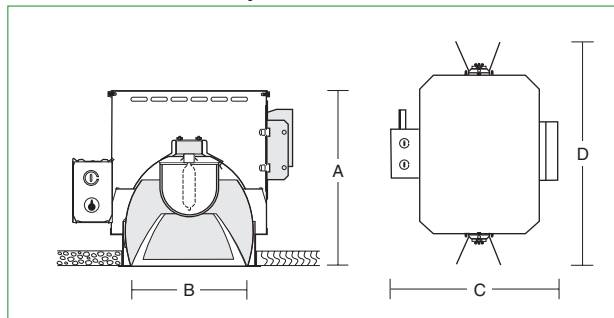


Dimensions and Lamps



Number	A Depth	B Aperture	C Width	D Length	Lamps*
R7306	11 1/4" 286mm	7 1/4" 184mm	14" 356mm	19" 483mm	39-70-150W T-6 Metal halide clear

*To specify add watts and volts for proper ballast, e.g. R7506-39277.

R7506

R35

Wall Washer
39-70-150W T-6 Metal Halide
7 1/4" Conoid Aperture

Optics and Applications

A kicker reflector and a frosted glass lens direct lamp output to light vertical surfaces. Performance is very smooth with wide lateral distribution devoid of hot spots or striations. The parabolic aperture cone controls spill light and prevents glare. Use to light walls, murals, textured surfaces, paintings, bookcases, etc.

Design Features

A sturdy steel housing protects the optical system which is rotatable 360° to compensate for variable job conditions. A globular glass lamp shield protects the lamp as required by code. Torsion springs hold the cone assembly against the ceiling with constant pressure. Maximum ceiling thickness 2". Bottom service only.

Finish

A specular clear Alzak cone is standard. Optional colors and Softglow® finishes are available. Housing and structural parts are painted optical matte black to suppress stray light leaks.

Ballast

Electronic metal halide ballasts provide more constant lumen and wattage output. They feature thermal protection with auto reset, fast restrike, quiet operation and automatic shutdown at end of life. Supplied standard for 39 or 70W. Specify EBH5 for 150W model.

General

Fixtures are pre-wired and thermally protected, UL and C-UL listed for eight wire 75°C branch circuit wiring. Union made IBEW. Luminaire Efficiency Ratings (LER) do not apply to wall washers.

Accessories

- R2 26" support rails.
- R5 52" support rails.
- B Specular black cone.
- G Specular gold cone.
- H Specular mocha cone.
- P Specular graphite cone.
- S Softglow® finishes: add S before color letters. e.g. SW for Softglow® wheat cone, SC for Softglow® clear cone.
- WT White trim flange.
- WHT White complete trim.
- T Specular titanium cone.
- W Specular wheat cone.
- Y Specular pewter cone.
- Z Specular bronze cone.

V347 347 volt ballast, contact the factory.

EBH5 Electronic ballast, 150W, specify volts.

F Ballast fuse.

L ● Limited pattern wall wash.

D ⊕ Double wall wash.

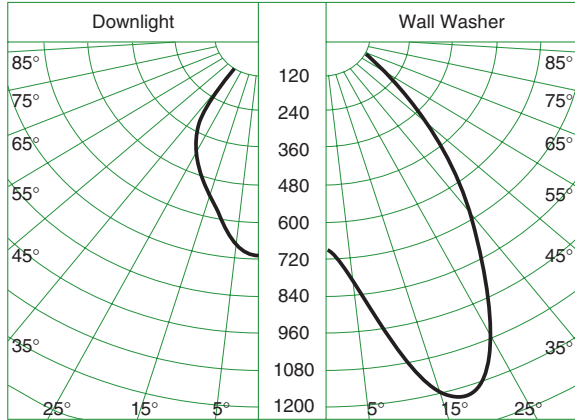
C ⊙ 250° corner wall wash.

Matching Units

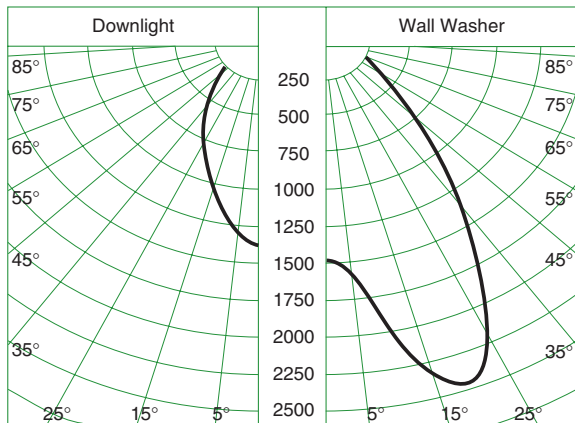
- Straight downlight Page R13
- Directional downlight Page R14
- Sloped ceiling downlight Page R14

R35 R7506

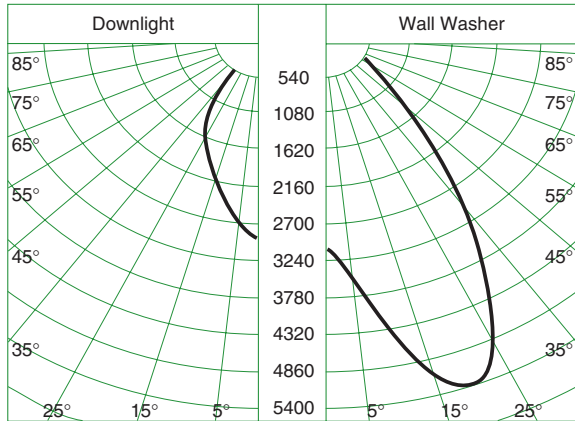
Candlepower Distribution Curves



R7506 39W T-6 Clear



R7506 70W T-6 Clear



R7506 150W T-6 Clear

Brightness

Number	Lamps	85°	75°	65°	55°	45°
R7506	39W T-6 Clear	8	11	14	708	6790
	70W T-6 Clear	15	22	28	1417	13583
	150W T-6 Clear	30	47	58	3054	29265

Data in footlamberts. Photometer readings, Maximum Brightness Method.

Multiple Units Footcandles

From Ceiling	2' from wall		3' from wall				4' from wall					
	2' Centers		3' Centers		3' Centers		4' Centers		4' Centers		6' Centers	
	CL	Mid	CL	Mid	CL	Mid	CL	Mid	CL	Mid	CL	Mid
1'	39	36	31	22	11	11	10	7	4	4	4	2
2'	52	48	40	30	21	19	17	13	10	9	8	5
3'	49	46	36	30	23	22	19	15	12	11	9	6
4'	40	39	28	26	23	22	19	16	13	13	10	7
5'	31	31	21	21	21	20	17	15	13	13	10	8
6'	24	24	16	16	19	18	14	13	13	12	9	7
7'	18	18	12	12	16	16	12	12	12	11	8	7
8'	14	13	9	9	13	13	10	10	11	10	7	7
9'	11	10	7	7	11	11	8	8	9	9	6	6
10'	8	8	6	6	9	9	7	7	8	8	6	5

R7506 39W T-6 Clear

From Ceiling	2' from wall		3' from wall				4' from wall					
	2' Centers		3' Centers		3' Centers		4' Centers		4' Centers		6' Centers	
	CL	Mid	CL	Mid	CL	Mid	CL	Mid	CL	Mid	CL	Mid
1'	77	71	61	44	23	22	19	14	9	8	7	4
2'	102	95	78	60	40	38	33	26	20	18	15	10
3'	96	91	71	59	46	44	37	30	24	22	18	13
4'	79	77	56	50	46	44	36	31	26	25	20	14
5'	61	61	42	41	42	40	32	29	26	25	19	15
6'	47	47	31	31	37	36	28	26	25	24	18	15
7'	35	35	23	23	31	31	23	23	23	22	16	14
8'	27	26	18	18	26	26	19	19	21	20	14	13
9'	21	20	14	14	21	21	16	16	18	18	13	12
10'	16	16	11	11	18	18	13	13	16	16	11	11

R7506 70W T-6 Clear

From Ceiling	2' from wall		3' from wall				4' from wall					
	2' Centers		3' Centers		3' Centers		4' Centers		4' Centers		6' Centers	
	CL	Mid	CL	Mid	CL	Mid	CL	Mid	CL	Mid	CL	Mid
1'	160	144	129	88	46	44	39	28	18	17	15	9
2'	214	200	168	123	83	78	69	52	40	37	32	20
4'	170	171	121	110	99	94	78	65	54	52	42	29
6'	101	102	67	68	78	79	60	57	54	52	39	31
8'	57	58	38	39	56	57	42	42	44	45	31	28
10'	35	35	23	23	38	38	29	29	35	35	24	23
12'	23	23	16	15	26	26	20	20	26	26	17	18
14'	16	15	11	11	19	18	14	14	19	19	13	13
16'	11	11	8	8	13	13	10	10	14	14	10	10
20'	6	6	4	4	7	7	5	5	8	8	6	6

R7506 150W T-6 Clear

Notes

- Data are cosine corrected to the plane of the wall. Uncorrected data are much higher and depend upon the angle of incidence to the wall which varies with the mounting distance from the wall.
- Optional colors are on cones only. Kicker reflectors are clear Alzak for output and color rendition. Use multipliers for brightness and downlight data. Multiple units data are correct as shown.
- Specular cone multipliers: Gold x .98, Wheat x .94, Pewter x .80, Mocha x .80, Graphite x .76, Titanium x .76, Bronze x .56, Black x .50.
- Softglow® cone multipliers: Clear x .97, Gold x .84, Wheat x .81, Pewter x .80, Mocha x .79, Graphite x .78, Titanium x .77, Bronze x .73, Black x .65.
- Kurt Versen wall washers minimize hard shadow lines at the ceiling. Intensity increases gradually to just above eye level. The ceiling shadow line is straight and the illuminated field is uniform, devoid of hot spots, striations and spikes.
- Average Luminance Method brightness data are inaccurate for downlights. We recommend Maximum Brightness Method point data from direct photometer readings. Further discussion in Z section brochure Z1.